

# FloodDMX LED Work Light

DL-FLD200TCVW  
DL-FLD200VW  
DL-FLD100TCVW  
DL-FLD100VW



## Product Features:

- LED DMX FLOOD Work Light
- RGB+VW or VW Variable White
- Integral DMX system
- Variety of optical lenses to optimize beam output
- Digital display for settings
- IP65 rated, applicable for indoor and outdoor areas
- CE and RoHS certified
- Die-cast anodized aluminum housing
- Mounting yoke for easy focus and installation

# Product Specifications

		DL-FLD200TCVW	DL-FLD200VW	DL-FLD100TCVW	DL-FLD 100VW
OPTICAL	Light Source	200w of RGB + Variable White - WW 3000k + CW 6500k LEDs	200w of Variable White - WW 3000k + CW 6500k LEDs	100w of RGB + Variable White - WW 3000k + CW 6500k LEDs	100w of Variable White - WW 3000k + CW 6500k LEDs
	Emissions	No UV/IR emissions eliminates the need for filters			
	Color Rendering	CRI: >80			
	Lumens	14,600 Lumens output	25,000 Lumens output	7,700 Lumens output	13,100 Lumens output
	Dimming	Dimmable using standalone settings or via DMX512 control			
	Beam Spread	Flood - 60 degree with installed lenses, remove lenses for 120 degree Includes 20 degree lens set.			
	Beam Angle	20° / 60° / 120°			
	Average Life	40,000 hrs			

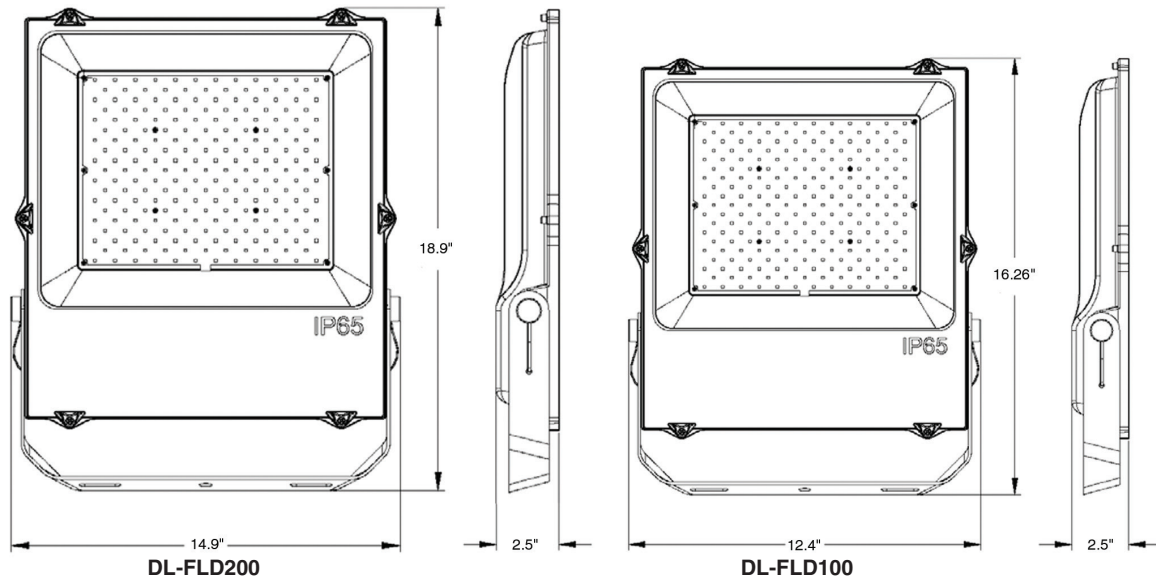
ELECTRICAL	Input Voltage	100-277vAC 50/60hz			
	Frequency	50-60 Hz			
	Power Consumption	200 W		100 W	
	Current Draw	2.0 Amps		1.0 Amps	
	Data Connection	DMX in/out via 5-pin XLR			
	Data Control	DMX 512/Standalone			
	DMX Channels	5	2	5	2
	Settings	3 digit display with 3 touch button menu			
	Standalone	No DMX, set default color and output level			

PHYSICAL	Length	2.5 in		2.5 in	
	Width	14.29 in		12.6 in	
	Height	18.9 in		16.26 in	
	Weight	7.16 kgs/ 15.75 lbs		4.96 kgs/ 10.91 lbs	
	Housing	Molded Aluminium metal housing			
	Hardware	Steel			
	Power Cord	1.5 meter 5-15 Edison to TRUE1 type			
	U Bracket	Adjustable yoke with locking lever handles			
	Finish Color	Black (standard)			

OTHERS	Cooling	Heat Sink - Quiet passive cooling, no fans to maintenance			
	Insulation Rating	IP65			
	Installation Method	U-Bracket (Yoke) Mount			
	Certification	CE / UL power supply			
	Warranty	3 years			



# Line Drawing



# Photometrics

DL-FLD100VW and DL-FLD200VW units with Variable White - WW 3000k + CW 6500k LED engine.

Variable White	Model	Power ±10%	CCT	Efficiency ±10%	Luminous ±10%
	DL-FLD100VW	100W	4000K	131LM/W	13100LM
		50W	3000K	122LM/W	6100LM
		50W	6500K	127LM/W	6350LM
	Model	Power ±10%	CCT	Efficiency ±10%	Luminous ±10%
	DL-FLD200VW	200W	4000K	125LM/W	25000LM
		100W	3000K	124LM/W	124000LM
		100W	6500K	127LM/W	127000LM



DL-FLD100TCVW and DL-FLD200TCVW units with RGB + Variable White - WW 3000k + CW 6500k LED engine.

RGB + Variable White	Model	Power ±10%	Color	Efficiency ±10%	Luminous ±10%
	DL-FLD100TCVW	100W	RGB CCT	77LM/W	7700LM
		18W	R	38LM/W	684LM
		20W	G	63M/W	1260LM
		20W	B	16LM/W	320LM
		21W	WW	109LM/W	2289LM
		21W	PW	112LM/W	2352LM
	Model	Power ±10%	Color	Efficiency ±10%	Luminous ±10%
	DL-FLD200TCVW	200W	RGB CCT	73LM/W	14600LM
		35W	R	38LM/W	1330LM
		40W	G	65M/W	2600LM
		38W	B	17LM/W	646LM
		43W	WW	114LM/W	4902LM
		44W	PW	116LM/W	5104LM



# Power and DMX Connectors

## AC Power and XLR Input/Output

CO-TRUM-R AC Male Plug    CO-TRUF-R AC Female Plug    CO-XLR5MBGIP-S XLR 5-pin Male Plug    CO-XLR5FBGIP-S XLR 5-pin Female Plug



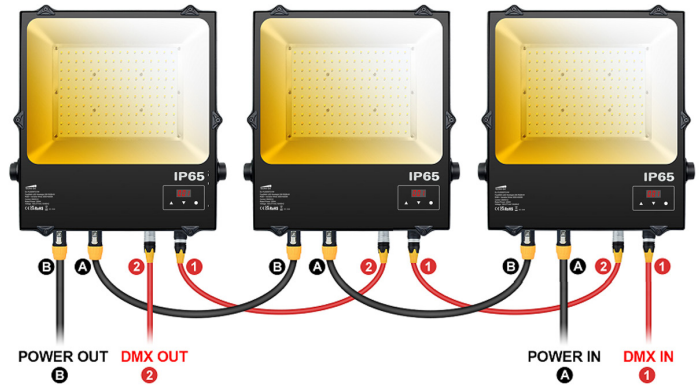
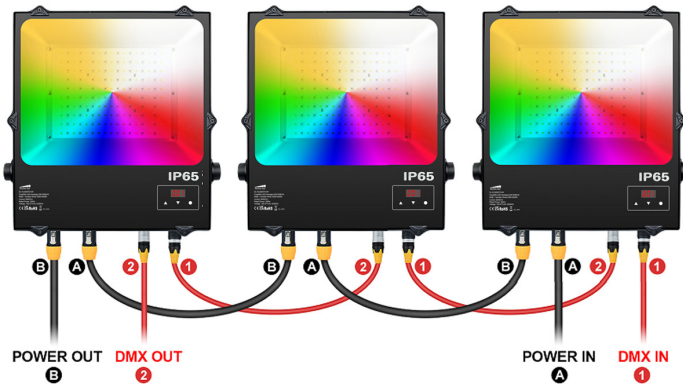
TRUE1 AC Female Socket (POWER OUT)    TRUE1 AC Male Socket (POWER IN)    XLR 5-pin Female Socket (DMW OUT)    XLR 5-pin Male Socket (DMW IN)



## DMX512 Control Channel Table:

Model	DMX Address	001	002	003	004	005
DL-FLD200TCVW DL-FLD100TCVW	RGBCCT	R	G	B	WW	CW
DL-FLD200VW DL-FLD100VW	CCT	WW	CW			

## Maximum Fixtures Per Power Line



**Maximum fixtures per 12/3 AWG power cable varies by voltage input and wattage.**

Input Voltage	Power	Max Qty.
110vAC	100W	19pcs
110vAC	200W	9pcs
230vAC	100W	41pcs
230vAC	200W	20pcs



10900 Palmbay Drive, Orlando, FL 32824 U.S.A.  
Phone: 407-857-8770 Fax: 407-857-8771  
www.techni-lux.com

05/13/2024