



## Product Data Sheet

<b>Product Type</b>	<b>3.5mm Plug</b>	
<b>Product Model</b>	<b>ST231L-BG</b>	
<b>Product Features</b>		
<ul style="list-style-type: none"><li>➤ 3.5mm stereo slim plug, chuck type strain relief verified countless times</li><li>➤ Black plated housing, gold plated contacts, fine surface treatment</li><li>➤ Exquisite design for best handling convenience</li><li>➤ Cable O.D. 2-6mm, tailored for professional headphones</li></ul>		

## Product Data Sheet

### Electrical Parameters

Item	Specification
Rated Voltage	< 50 V
Contact Resistance	subject on mating connector
Dielectric Strength	1000 V DC
Insulation Resistance	> 2 G $\Omega$

### Mechanical Parameters

Item	Specification
Service Life	> 1000 mating cycles
Cable OD	2-6 mm

## Product Data Sheet

### Material and Environmental Parameters

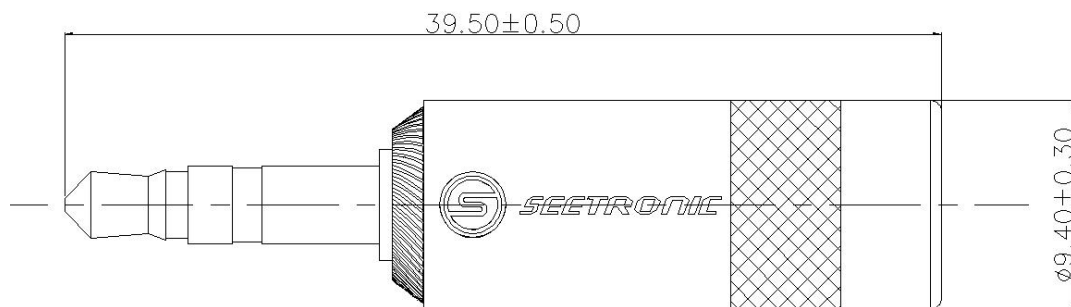
Item	Specification
Housing	Zinc alloy
Contacts	Brass
Contact surface	Au
Housing Electroplating	Black plating
Temperature range	-20°C ~ +65°C

### Standards and Certifications

Solderability	IEC 68-2-20
---------------	-------------

## Product Data Sheet

### Product Drawing



Unit: mm

### Packaging Method

1 pc per bag (includes 1 pc each of inner core assembly, housing and transparent insulation tube)  
100 pcs per inner carton, 5 inner cartons per master carton (500 pcs per master carton)

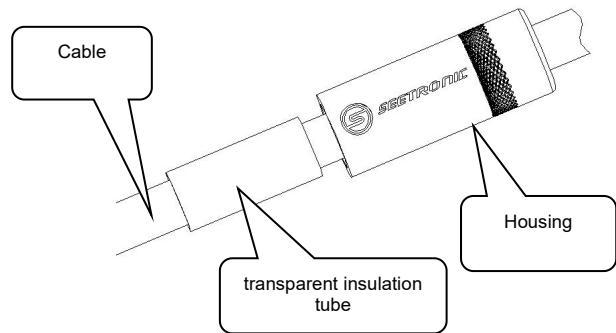
### Accessory

- |  |  |
|--|--|
| <input checked="" type="checkbox"/> No accessories | <input type="checkbox"/> Back fastener plate |
| <input type="checkbox"/> Screws and Nuts           | <input type="checkbox"/> Other               |

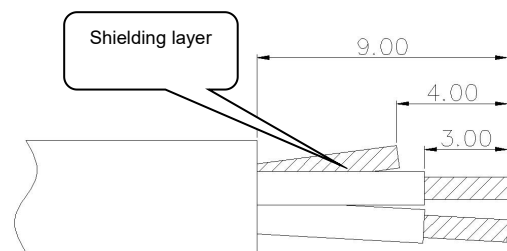
## Product Data Sheet

### Assembly Instructions

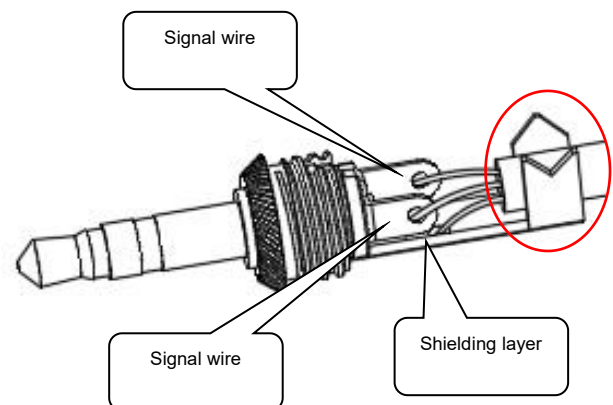
- (1) Put the cable through the housing and transparent insulation tube.



- (2) Strip the cable in the size as shown.



- (3) Solder the conductor of the cable to the inner core assembly and secure the cable with the clamping plate.



## Product Data Sheet

### Assembly Instructions

- (4) Slide the transparent insulating tube over the inner core assembly and screw the housing clockwise to the inner core assembly.

