

SEETRONIC

Product Data Sheet

Product Type

Dck Yf'GcW_Yh

Product Model

G5 7' A D6

Customer Name

Manufacturer	Prepared	Checked	Approved

Customer	Received	Checked	Confirmed

Distributor:



Phone: 407-857-8770

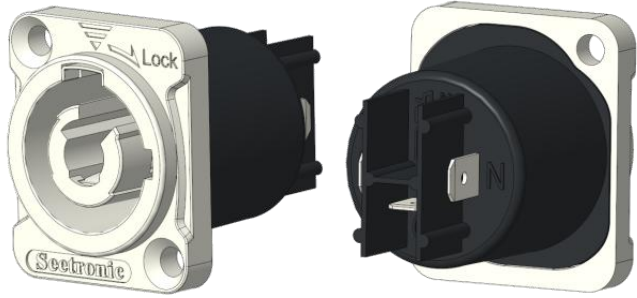
Fax: 407-857-8771

Email: sales@techni-lux.com

www.techni-lux.com



Product Data Sheet

Product Type	Power Socket	
Product Model	SAC3MPB	
Product Features		
<ul style="list-style-type: none">➤ Lockable three-core power device AC socket connector with contacts for line, neutral and pre-adapted safety grounding➤ High current capacity rated at 20A/250V AC➤ Quick and easy locking system➤ UL Certification No. E359036➤ VDE Certification No. 40044166		

Product Data Sheet

Electrical Parameters

Item	Specification
Number of Contacts	2 + PE
Rated Current	20A
Rated Voltage	250V AC
Contact Resistance	$\leq 5 \text{ m}\Omega$
Dielectric Strength	4000V DC
Insulation Resistance	$> 1000 \text{ M}\Omega$

Mechanical Parameters

Item	Specification
Service Life	> 1000 mating cycles
Cable Size	2.5mm ²

Product Data Sheet

Material and Environmental Parameters

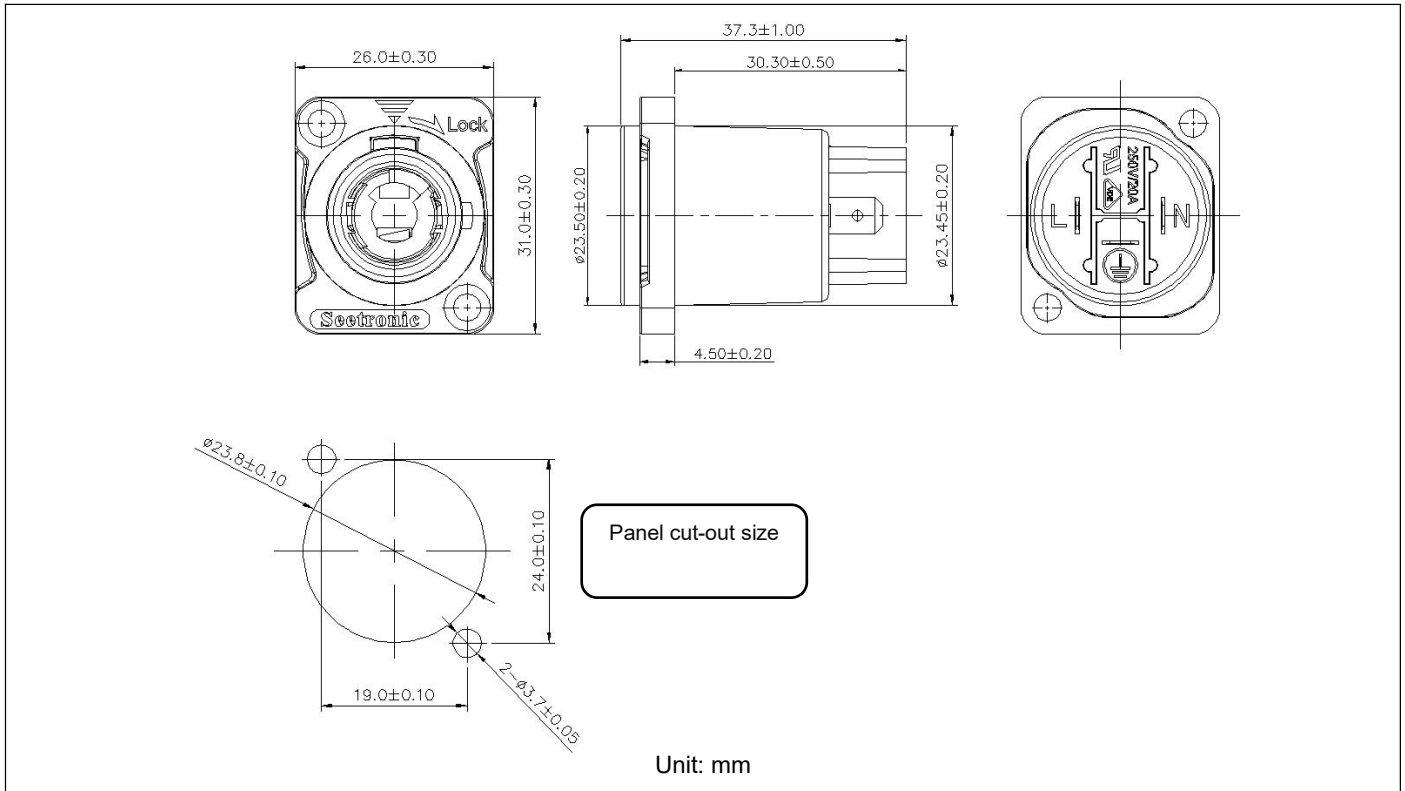
Item	Specification
Housing	PA
Contacts	Cu alloy
Contact plating	Ag
Flame-retardant grade	UL 94-V0
Temperature range	-30°C ~ +80°C

Standards and Certifications

Standards	UL1977 IEC61984 IEC60320-1 GB/T 34989
Certifications	UL: E359036 VDE: 40044166 TUV: N8A1083360006 CQC:CQC23003410678

Product Data Sheet

Product Drawing



Packaging Method

Blister box packaging

20 pcs per blister box, 100 pcs per inner carton, 5 inner cartons per master carton (500 pcs per master carton)

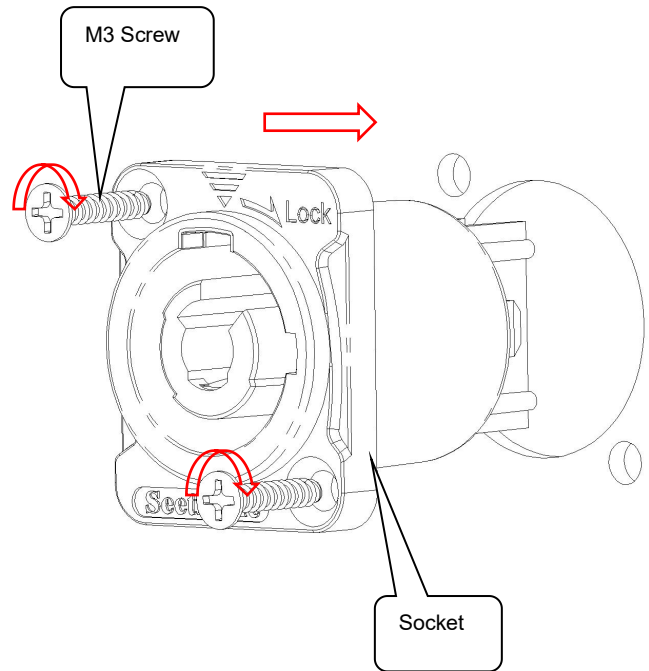
Accessory

- | | |
|--|--|
| <input checked="" type="checkbox"/> No accessories | <input type="checkbox"/> Back fastener plate |
| <input type="checkbox"/> Screws and Nuts | <input type="checkbox"/> Other |

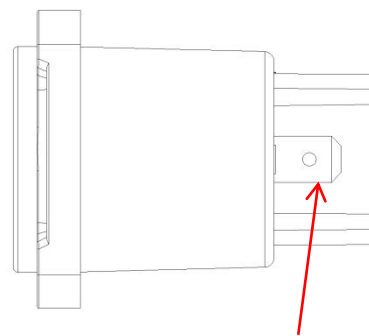
Product Data Sheet

Assembly Instructions

Install the socket on the front of the panel and tighten the screws with 0.5 Nm torque in clockwise direction.



Type of Terminals



Soldering / plugging 4.5x0.5 terminals