

SEETRONIC

Product Data Sheet

Product Type GdYU_Yf`7 cbbYWcf

Product Model G@8A(

Customer Name _____

Manufacturer	Prepared	Checked	Approved

Customer	Received	Checked	Confirmed

Distributor:



Phone: 407-857-8770

Fax: 407-857-8771

Email: sales@techni-lux.com

www.techni-lux.com



Product Data Sheet

Product Type	Speaker Connector	
Product Model	SLDDM4	

Product Features

- 4 pole loudspeaker socket, chrome housing, solder or 1/4" flat tabs
- Current rating continuous 30 Amp
- Rugged and durable metal housing design
- The built-in sealing gasket provides IP54 protection rating under the mated state



Product Data Sheet

Product Parameters

Item	Specification
Connection Type	Speaker
Gender	Male

Electrical Parameters

Item	Specification
Number of Contacts	4
Rated Current	30 A rms
Rated Voltage	250V AC
Contact Resistance	$\leq 2 \text{ m}\Omega$
Dielectric Strength	4 KV DC
Insulation Resistance	$> 1000 \text{ M}\Omega$
Attention	Cannot be used as an AC source or power connector!



Product Data Sheet

Mechanical Parameters

Item	Specification
Service Life	> 5000 mating cycles

Material and Environmental Parameters

Item	Specification
Housing	Zinc die-cast
Housing plating	Cr
Contacts	Cu alloy
Contact plating	Ag
Inner core	PA
Flame-retardant grade	UL 94-V0
Temperature range	-30°C ~ +80°C

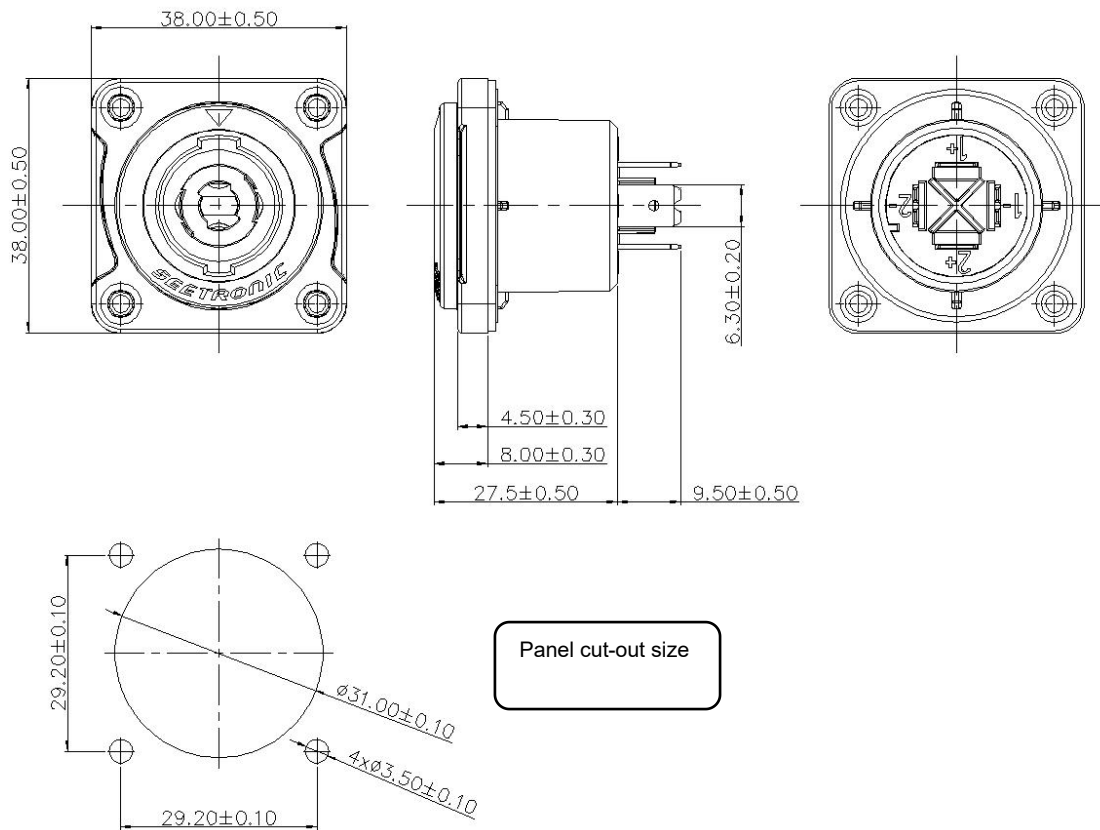
Standards and Certifications

Standards	IEC 61984
-----------	-----------



Product Data Sheet

Product Drawing



Unit: mm

Packaging Method

PE bag packing, 1 pc per bag

50 pcs per inner carton, 5 inner cartons per master carton (250 pcs per master carton)



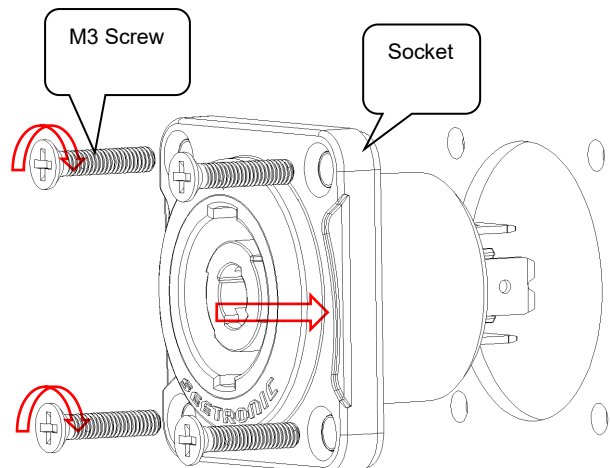
Product Data Sheet

Accessory

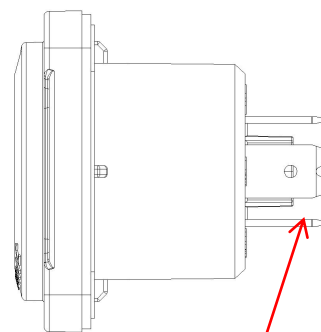
- | | |
|--|--|
| <input checked="" type="checkbox"/> No accessories | <input type="checkbox"/> Back fastener plate |
| <input type="checkbox"/> Screws and Nuts | <input type="checkbox"/> Other |

Assembly Instructions

Install on the front of the panel. Tighten the screws with 0.5 Nm torque in clockwise direction.



Type of Terminals



Soldering / plugging 6.3x0.8 terminals

