

SEETRONIC

Product Data Sheet

Product Type

DfchYWj Y7 cj Yf

Product Model

7 B5 7 !: DL

Customer Name

Manufacturer	Prepared	Checked	Approved

Customer	Received	Checked	Confirmed

Distributor:



Phone: 407-857-8770


Fax: 407-857-8771

Email: sales@techni-lux.com

www.techni-lux.com



Product Data Sheet

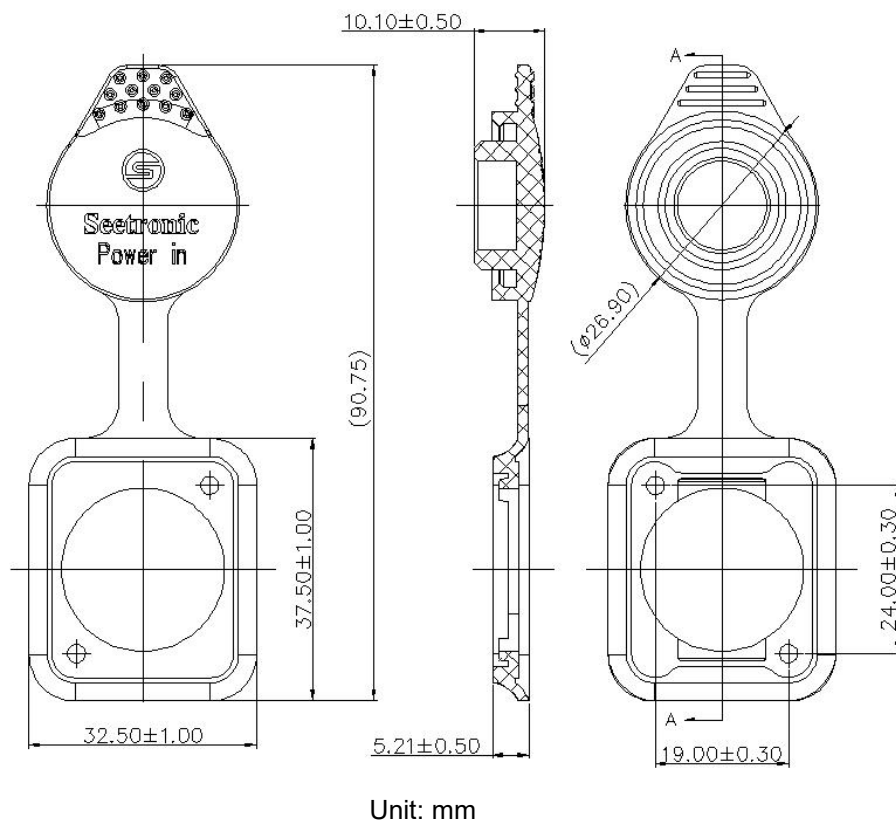
Product Type	Protective Cover	
Product Model	CNAC-FPX	
Product Features		
<ul style="list-style-type: none">➤ Rubber sealing cover for SAC3FPX➤ Provides protection from dust and water with IP65 waterproof rating		

Product Data Sheet

Product Parameters

Item	Specification
Protective cover	VMQ
Protection class	IP65
Temperature range	-30°C ~ +80°C
Flame-retardant grade	UL94-V0

Product Drawing



Product Data Sheet

Packaging Method

50 pcs per PE bag, 200 pcs per inner carton, 5 inner cartons per master carton (1000 pcs per master carton)

Accessory

- | | |
|--|--|
| <input checked="" type="checkbox"/> No accessories | <input type="checkbox"/> Back fastener plate |
| <input type="checkbox"/> Screws and Nuts | <input type="checkbox"/> Other |

Assembly Instructions

Put the protective cover on the rear side of the socket and then install on the front of the panel. Finally, tighten the screws with 0.5 Nm torque in clockwise direction.

