

Product Data Sheet

Product Type	IP67 Waterproof Power Plug	
Product Model	SAC3MX-67	
Product Features		
<ul style="list-style-type: none">➤ Lockable three-core male power cable connector with contacts for line, neutral and pre-adapted safety grounding➤ Durable and ruggedly sealed power connector used for electrical connection under outdoor conditions with protection grade IP67➤ Match with SAC3FX-67, SAC3FPX-67 or SAC3FPX20-67➤ Fast and easy locking system with firm latch lock which does not fall off➤ High current capacity rated at 16A/250V AC VDE and 20A/300V AC UL➤ UL498 & UL50E Certification No. E356932➤ VDE Certification No. 40044166		

Product Data Sheet

Electrical Parameters

Item	Specification
Number of Contacts	2 + PE
Rated Current	16A VDE / 20A UL
Rated Voltage	250V AC VDE / 300V AC UL
Contact Resistance	$\leq 5 \text{ m}\Omega$
Dielectric Strength	4000V DC (1600V/min AC UL)
Insulation Resistance	$> 1000\text{m}\Omega$

Mechanical Parameters

Item	Specification
Service Life	> 500 mating cycles
Cable Size	2.5 mm^2
Cable OD	7-11 mm
Type of Terminals	Screw type terminals

Product Data Sheet

Material and Environmental Parameters

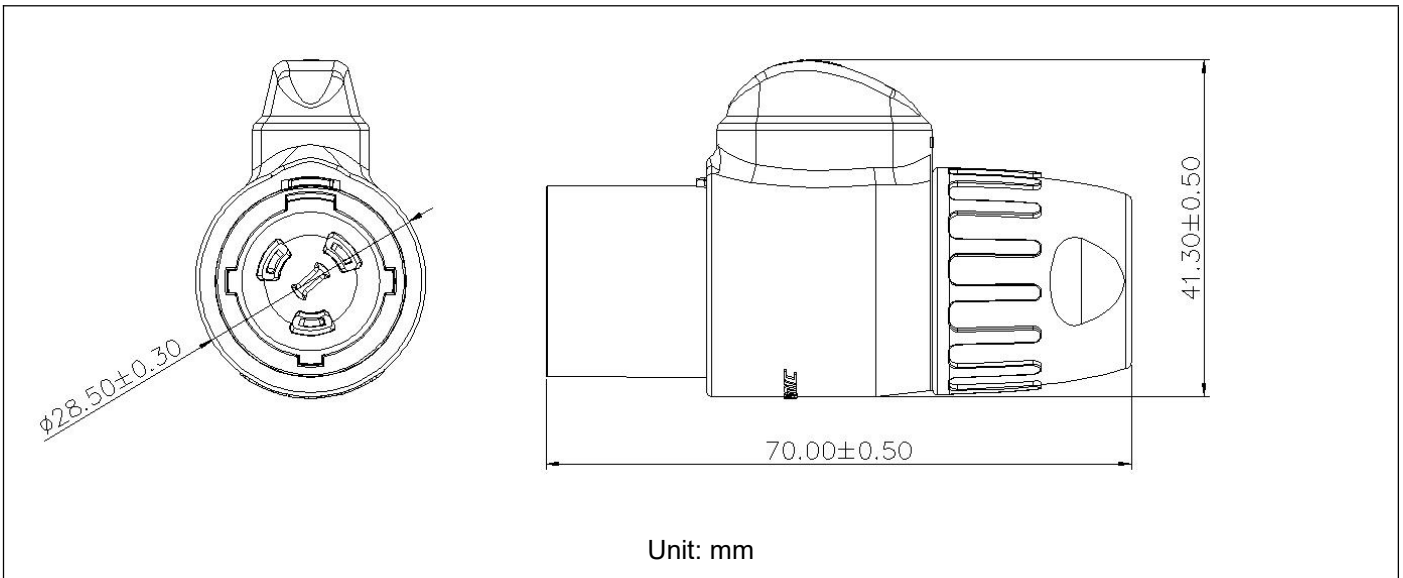
Item	Specification
Housing	PA
Contacts	Cu alloy
Contact surface	Ag
Protection degree	IP67
Flame retardant rating	UL94-V0
Temperature range	-30°C ~ +80°C

Standards and Certifications

Standards	UL498 UL50E IEC61984 GB/T 34989
Certifications	UL: E356932 VDE: 40044166 CQC23003410681

Product Data Sheet

Product Drawing



Packaging Method

1 pc per bag (include 1 pc each of inner core, housing, strain relief, bushing, waterproof rubber ring)
40 pcs per inner carton, 5 inner cartons per master carton (200 pcs per master carton)

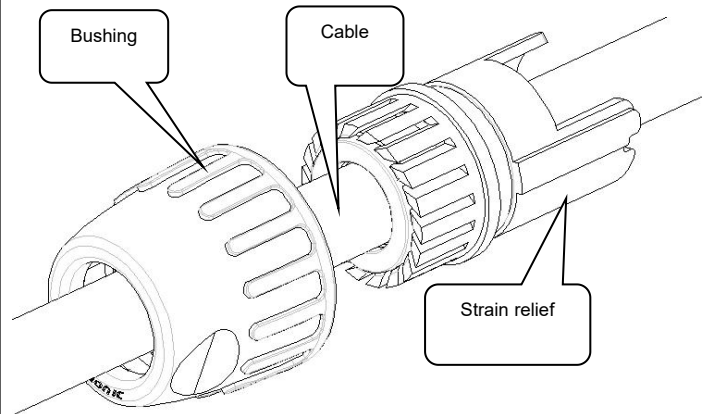
Accessory

- | | |
|--|--|
| <input checked="" type="checkbox"/> No accessories | <input type="checkbox"/> Back fastener plate |
| <input type="checkbox"/> Screws and Nuts | <input type="checkbox"/> Other |

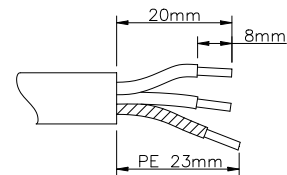
Product Data Sheet

Assembly Instructions

(1) Put the cable through the bushing and strain relief

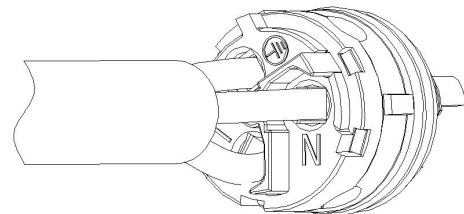


(2) Strip the cable in the size as shown



(3) Insert the conductor of the cable into the terminal of the inner core (refer to the wiring method on the right) and then lock with a torque of 0.7 Nm.

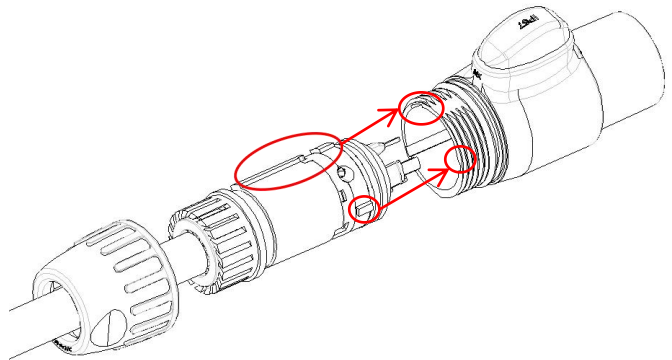
Wiring	VDE	UL
L	Brown	Black
N	Blue	White
Ground	Green/Yellow	Green



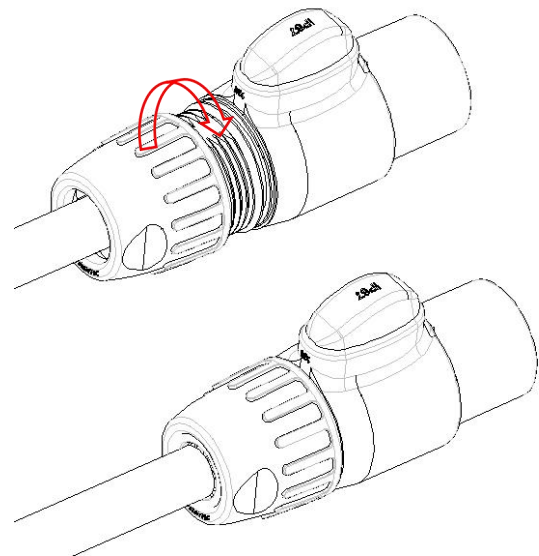
Product Data Sheet

Assembly Instructions

- (4) Push the inner core component into the housing with the strain relief. The protruding rib of strain relief should correspond to the protruding rib of inner core component. And the two protruding ribs should correspond to the two grooves inside the housing.



- (5) After the assembly of the strain relief, inner core component and housing, tighten the boot in a clockwise direction with a torque of 2.0 Nm.



Note: This product is equipped with two sizes of waterproof rubber rings on the strain relief as standard. They are applicable to different cable diameters and can be replaced by the customers according to the diameter of the cable used, as shown in the picture.

