

# SEETRONIC

## Product Data Sheet

**Product Type**   =Ð\*) 'K UHf dfccZ7 ca V]bYX'  
Dck Yf 'GcW Yh

**Product Model**   G5 7' DL

**Customer Name** \_\_\_\_\_


Manufacturer	Prepared	Checked	Approved

Customer	Received	Checked	Confirmed

**Distributor:**  Phone: 407-857-8770  
Fax: 407-857-8771  
Email: sales@techni-lux.com  
www.techni-lux.com



## Product Data Sheet

<b>Product Type</b>	<b>IP65 Waterproof Combined Power Socket</b>	
<b>Product Model</b>	<b>SAC3PX</b>	
<b>Product Features</b>		
<ul style="list-style-type: none"><li>➤ Lockable three-core device combined power-in and power-out socket connector with contacts for linear, neutral and pre-adapted safety grounding</li><li>➤ The combination of SAC3MPX and SAC3FPX which saves space for chain connections while making the equipment looks more nice</li><li>➤ Waterproof grade IP65 and protection class IP67 for terminal equipment</li><li>➤ Certified UL, VDE, CQC standards</li><li>➤ The protective rubber cover with model number CNAC-PX is not included</li></ul>		

## Product Data Sheet

### Electrical Parameters

Item	Specification
Number of Contacts	2 + PE
Rated Current	16A VDE (20A UL)
Rated Voltage	250V AC VDE (300V AC UL)
Contact Resistance	$\leq 5 \text{ m}\Omega$
Dielectric Strength	4000V DC (1600V/min AC UL)
Insulation Resistance	$> 1000 \text{ M}\Omega$

### Mechanical Parameters

Item	Specification
Service Life	$> 1000$ mating cycles
Cable Size	$2.5\text{mm}^2$ (12 AWG)

## Product Data Sheet

### Material and Environmental Parameters

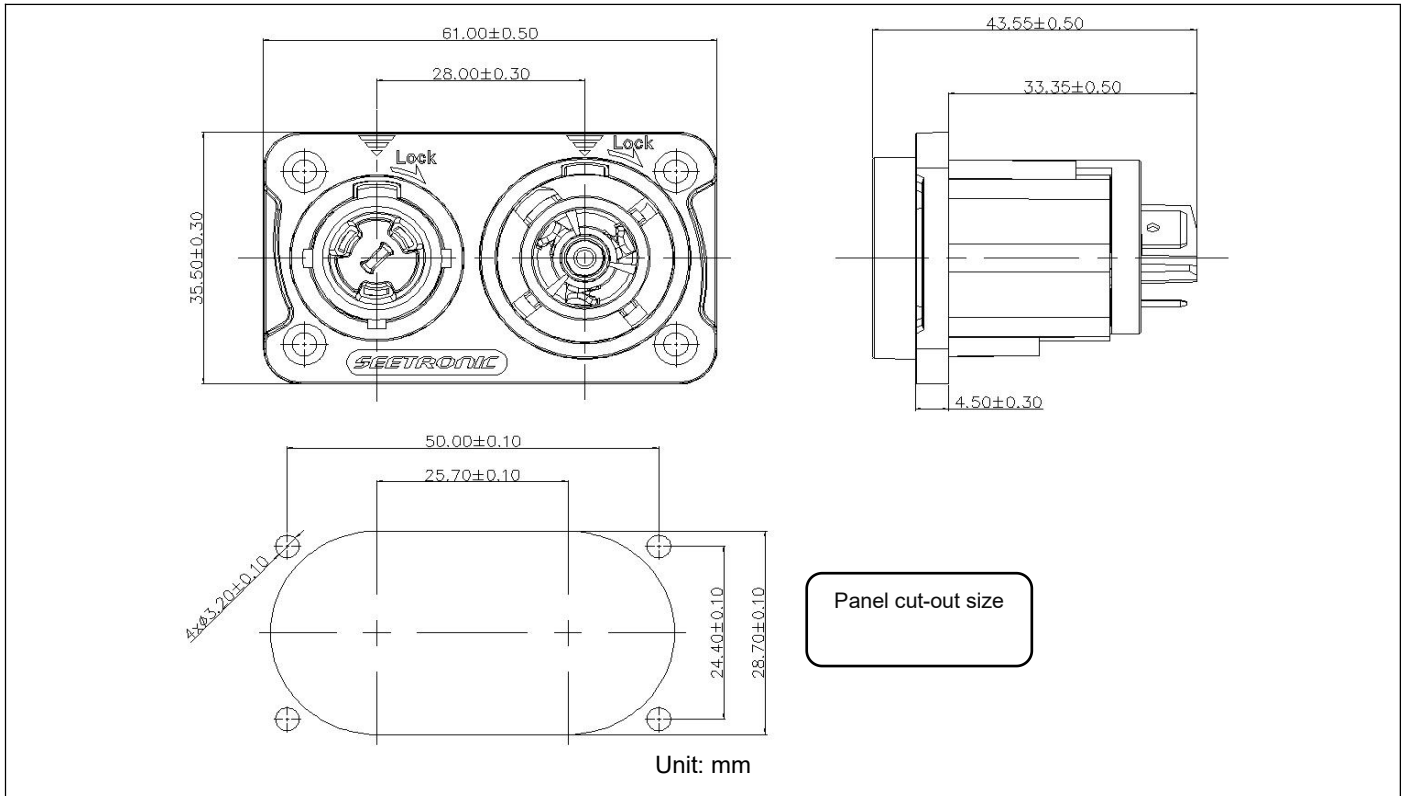
Item	Specification
Housing	PA
Contacts	Cu alloy
Contact plating	Au
Flame-retardant grade	UL 94-V0
Temperature range	-30°C ~ +80°C
Protection degree	IP65

### Standards and Certifications

Standards	UL498   UL50E   IEC61984   GB/T 34989
Certifications	UL: E356932 VDE: 40044166 CQC:CQC23003410681

## Product Data Sheet

### Product Drawing



### Packaging Method

Blister box packaging (only include the socket body, waterproof rubber is not included and need to be purchased separately)

10 pcs per blister box, 40 pcs per inner carton, 5 inner carton per master carton (200 pcs per master carton)

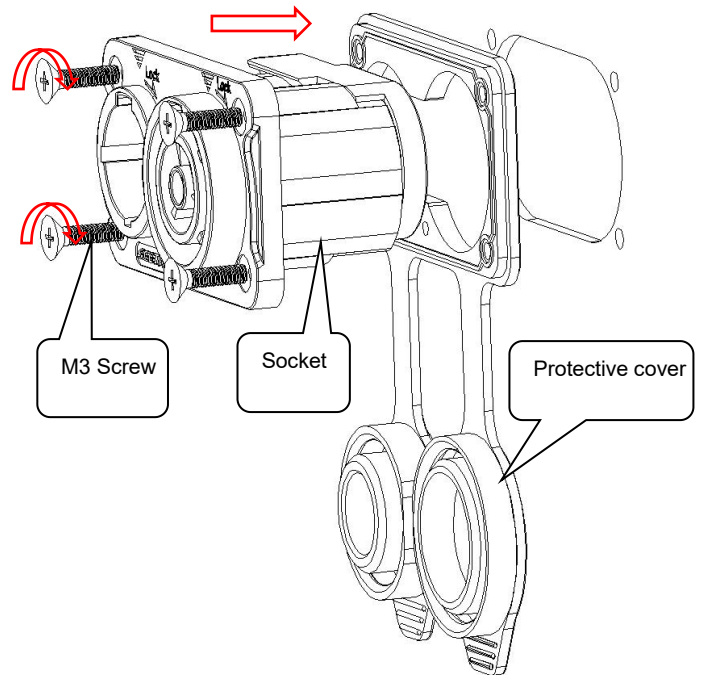
### Accessory

- |                                                    |                                              |
|----------------------------------------------------|----------------------------------------------|
| <input checked="" type="checkbox"/> No accessories | <input type="checkbox"/> Back fastener plate |
| <input type="checkbox"/> Screws and Nuts           | <input type="checkbox"/> Other               |

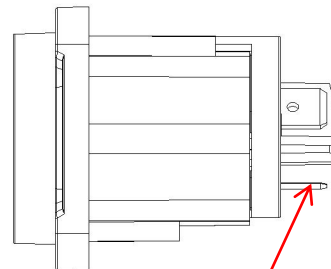
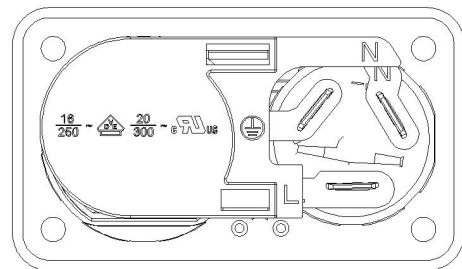
## Product Data Sheet

### Assembly Instructions

Put the protective cover on the rear side of the socket and then install on the front of the panel. Finally, tighten the screws with 0.5 Nm torque in clockwise direction.



Type of Terminals



Soldering / plugging 6.3x0.8 terminals