

SEETRONIC

Product Data Sheet

Product Type L @ F ' Gc W Yh

Product Model A ?) : & 7 ! 6 ;

Customer Name _____

| Manufacturer | Prepared | Checked | Approved |
|--------------|----------|---------|----------|
| | | | |

| Customer | Received | Checked | Confirmed |
|----------|----------|---------|-----------|
| | | | |

Distributor:



Phone: 407-857-8770


Fax: 407-857-8771

Email: sales@techni-lux.com

www.techni-lux.com



Product Data Sheet

| | | |
|--|-------------------|--|
| Product Type | XLR Socket |  |
| Product Model | MK4F2C-BG | |
| Product Features | | |
| <ul style="list-style-type: none">➤ 5-pin XLR female socket with zinc alloy and black plated housing and gold plated contacts➤ D-shape metal shell with industry standard D-type installation dimensions provides installation compatibility➤ Mountable from the front or rear of the panel➤ Short axial size, space saving and lightweight | | |



Product Data Sheet

Product Parameters

| Item | Specification |
|-----------------|---------------|
| Connection type | XLR |
| Gender | Female |

Electrical Parameters

| Item | Specification |
|------------------------------|-----------------------------|
| Capacitance between contacts | ≤ 7 pF |
| Contact resistance | ≤ 5 m Ω |
| Dielectric strength | 1500V DC |
| Insulation resistance | > 10 G Ω (initial) |
| Rated current per contact | 7.5 A |
| Rated voltage | < 50 V |



Product Data Sheet

Mechanical Parameters

| Item | Specification |
|---------------------|----------------------|
| Service Life | > 1000 mating cycles |
| Insertion force | ≤ 20 N |
| Withdrawal force | ≤ 20 N |
| Screw fixing torque | Latch lock |
| Chassis shape | D |



Product Data Sheet

Material and Environmental Parameters

| Item | Specification |
|-----------------------|---------------------------|
| Housing | Zinc alloy |
| Housing plating | Black plating |
| Insert | PA |
| Contacts | Cu alloy |
| Contact plating | Au |
| Flame-retardant grade | UL 94-V0 |
| Temperature range | -30°C ~ +80°C |
| Protection class | IP40 |
| Solderability | Complies with IEC 68-2-20 |

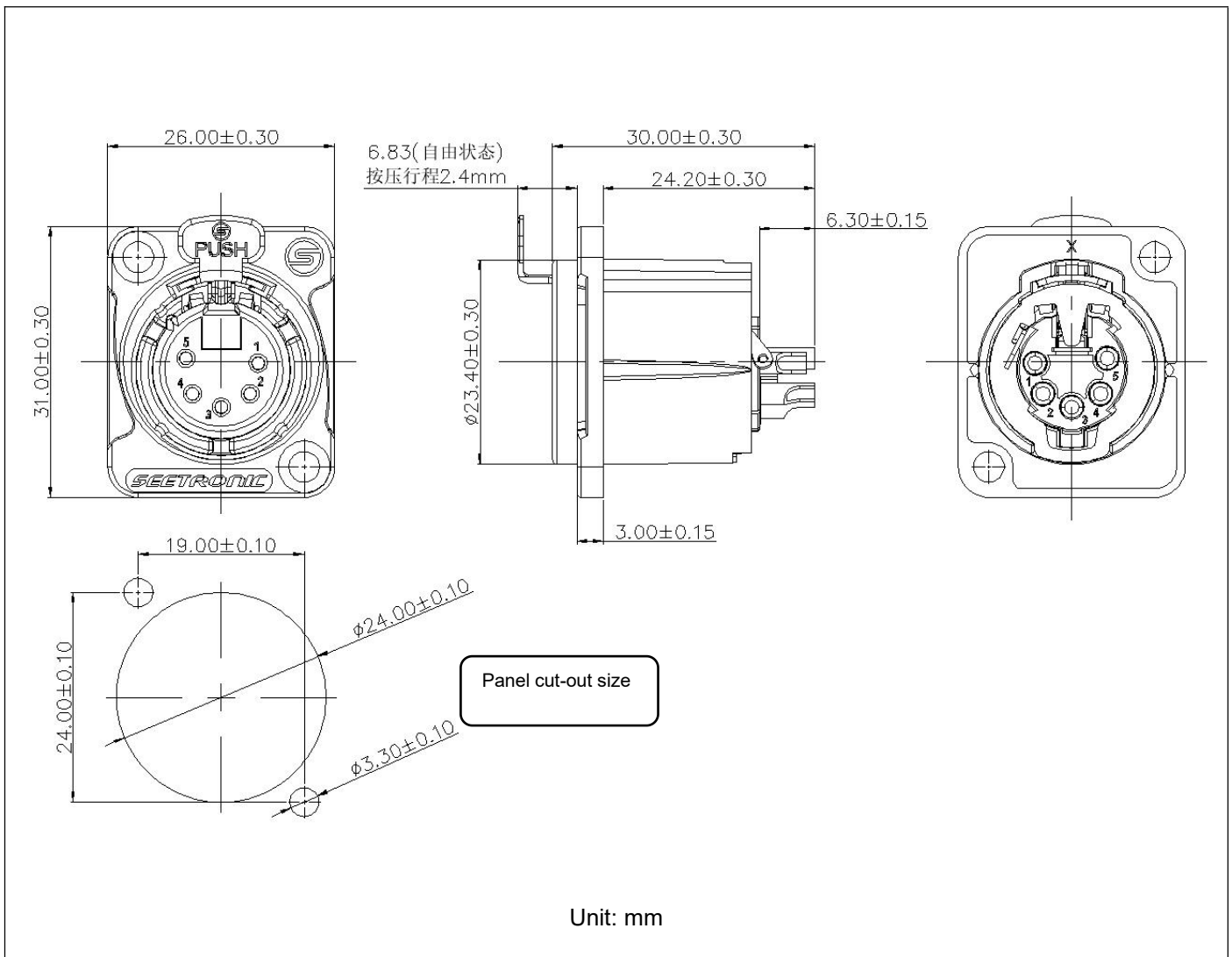
Standards and Certifications

| | |
|-----------|-----------------|
| Standards | IEC 61076-2-103 |
|-----------|-----------------|



Product Data Sheet

Product Drawing



Packaging Method

Blister box packaging

20 pcs per blister box, 100 pcs per inner carton, 5 inner carton per master carton (500 pcs per master carton)



Product Data Sheet

Accessory

- | | |
|--|--|
| <input checked="" type="checkbox"/> No accessories | <input type="checkbox"/> Back fastener plate |
| <input type="checkbox"/> Screws and Nuts | <input type="checkbox"/> Other |

Assembly Instructions

Install the socket on the front or rear of the panel and tighten the screws with 0.5 Nm torque in clockwise direction.

