

SEETRONIC

Product Data Sheet

Product Type

D* + 'L @ F ' GcW Yh

Product Model

?) : & 7 ! K ! 6 ! * +

Customer Name

Manufacturer	Prepared	Checked	Approved

Customer	Received	Checked	Confirmed

Distributor:



Phone: 407-857-8770


Fax: 407-857-8771

Email: sales@techni-lux.com

www.techni-lux.com



Product Data Sheet

Product Type	IP67 XLR Socket	
Product Model	K5F2C-W-B-67	

Product Features

- Upgraded version of the industry's first IP65 waterproof XLR socket with protection rating up to IP67
- 5-core XLR waterproof female socket connector with black plated housing and gold plated contacts
- Greater degree of protection against dust and water from entering inside the equipment
- D-shape metal shell with industry standard D-type installation dimensions provides installation compatibility
- Install from the front of the panel
- More reliable and durable for high-performance fast connection requirements of the DMX lighting industry in outdoor conditions for signal input and output
- Airproof treatment at the backside which can withstand air pressure of 0.2Mpa and no leakage at the rear when waterproof cover is not in use

Product Data Sheet

Product Parameters

Item	Specification
Connection Type	XLR
Gender	Female

Electrical Parameters

Item	Specification
Capacitance between contacts	≤ 7 pF
Contact resistance	≤ 5 m Ω
Dielectric strength	1500V DC
Insulation resistance	> 10 G Ω (initial)
Rated current per contact	7.5 A
Rated voltage	< 50 V

Mechanical Parameters

Item	Specification
Insertion force	≤ 20 N
Withdrawal force	≤ 20 N
Service life	> 1000 mating cycles

Product Data Sheet

Material and Environmental Parameters

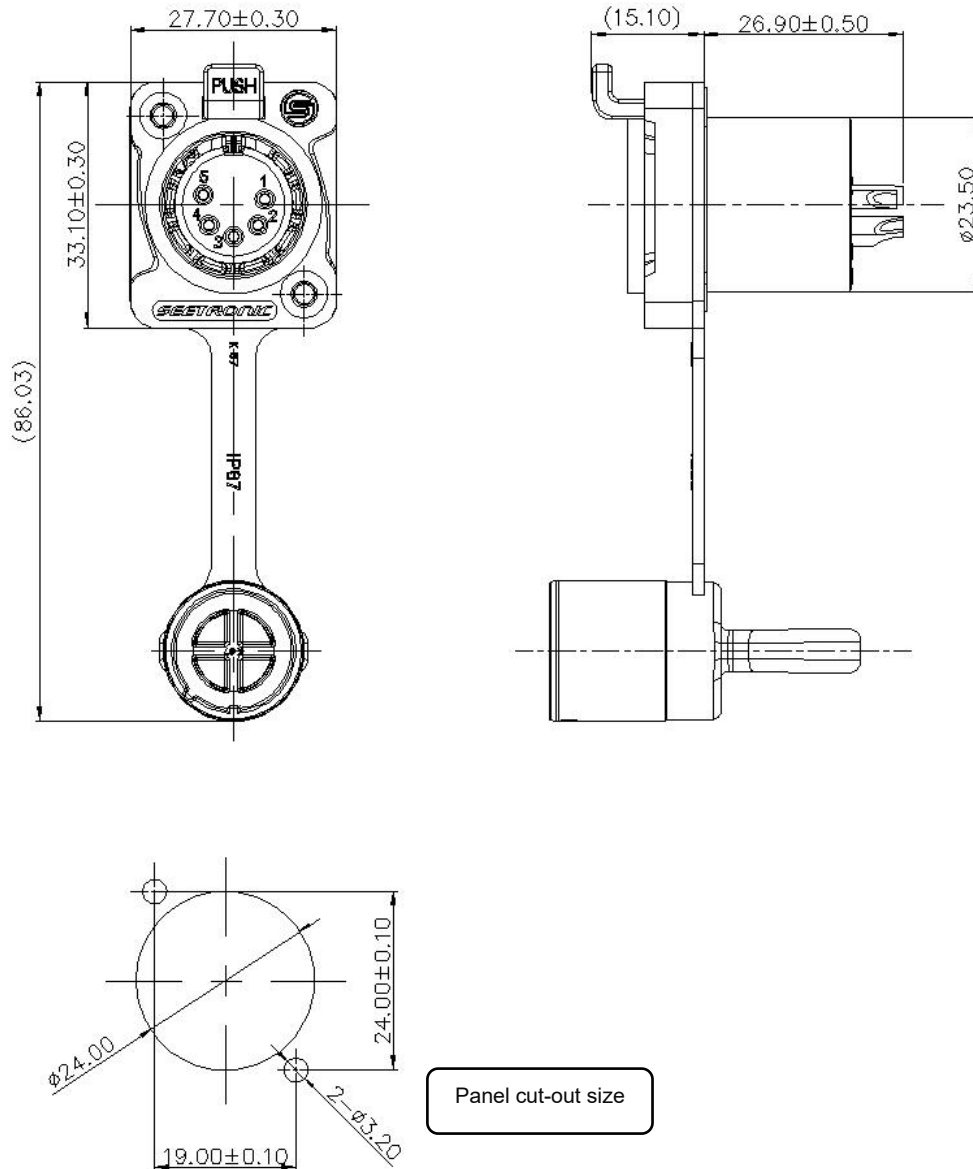
Item	Specification
Contacts	Copper alloy
Contact plating	Au plating
Insert	Polyamide
Housing	Zinc alloy
Housing plating	Black plating
Flame-retardant grade	UL 94 HB
Protection class	IP67
Temperature range	-30°C ~ +80°C

Standards and Certifications

Standards	IEC 61076-2-103
Solderability	Complies with IEC 68-2-20

Product Data Sheet

Product Drawing



Tolerance	≤ 6	$6 < , \leq 30$	$30 < , \leq 120$	$120 < , \leq 400$	$400 < , \leq 1000$
	± 0.10	± 0.20	± 0.30	± 0.50	± 0.80

Unit: mm

Product Data Sheet

Packaging Method

PE bag packing (include 1 pc each of socket and waterproof rubber cover) 1 pc per bag, 50 pcs per inner carton, 5 inner cartons per master carton (250 pcs per master carton)

Accessory

- | | |
|--|--|
| <input checked="" type="checkbox"/> No accessories | <input type="checkbox"/> Back fastener plate |
| <input type="checkbox"/> Screws and Nuts | <input type="checkbox"/> Other |

Product Data Sheet

Assembly Instructions

Put the protective cover on the rear side of the socket and then install on the front of the panel. Finally, tighten the screws with 0.5 N·m torque in clockwise direction.

