

# SEETRONIC

## Product Data Sheet

**Product Type** XLR Socket

**Product Model** MJ5F2C

**Customer Name** \_\_\_\_\_

| Manufacturer | Prepared | Checked | Approved |
|--------------|----------|---------|----------|
|              |          |         |          |

| Customer | Received | Checked | Confirmed |
|----------|----------|---------|-----------|
|          |          |         |           |

Distributor:



Phone: 407-857-8770


Fax: 407-857-8771

Email: [sales@techni-lux.com](mailto:sales@techni-lux.com)

[www.techni-lux.com](http://www.techni-lux.com)



## Product Data Sheet

|                      |                   |  |
|----------------------|-------------------|--|
| <b>Product Type</b>  | <b>XLR Socket</b> |  |
| <b>Product Model</b> | <b>MJ5F2C</b>     |  |

### Product Features

- 5-pin XLR male socket with zinc alloy and pearl chrome plated housing and silver plated contacts
- D-shape metal shell with industry standard D-type installation dimensions provides installation compatibility
- Mountable on the front or rear of the panel
- Short axial size, space saving and lightweight

## Product Data Sheet

### Product Parameters

| Item            | Specification |
|-----------------|---------------|
| Connection type | XLR           |
| Gender          | Male          |

### Electrical Parameters

| Item                         | Specification               |
|------------------------------|-----------------------------|
| Capacitance between contacts | $\leq 7$ pF                 |
| Contact resistance           | $\leq 5$ m $\Omega$         |
| Dielectric strength          | 1500V DC                    |
| Insulation resistance        | $> 10$ G $\Omega$ (initial) |
| Rated current per contact    | 10 A                        |
| Rated voltage                | $< 50$ V                    |

## Product Data Sheet

### Mechanical Parameters

| Item                | Specification        |
|---------------------|----------------------|
| Service Life        | > 1000 mating cycles |
| Insertion force     | $\leq 20$ N          |
| Withdrawal force    | $\leq 20$ N          |
| Screw fixing torque | Latch lock           |
| Chassis shape       | D                    |

## Product Data Sheet

### Material and Environmental Parameters

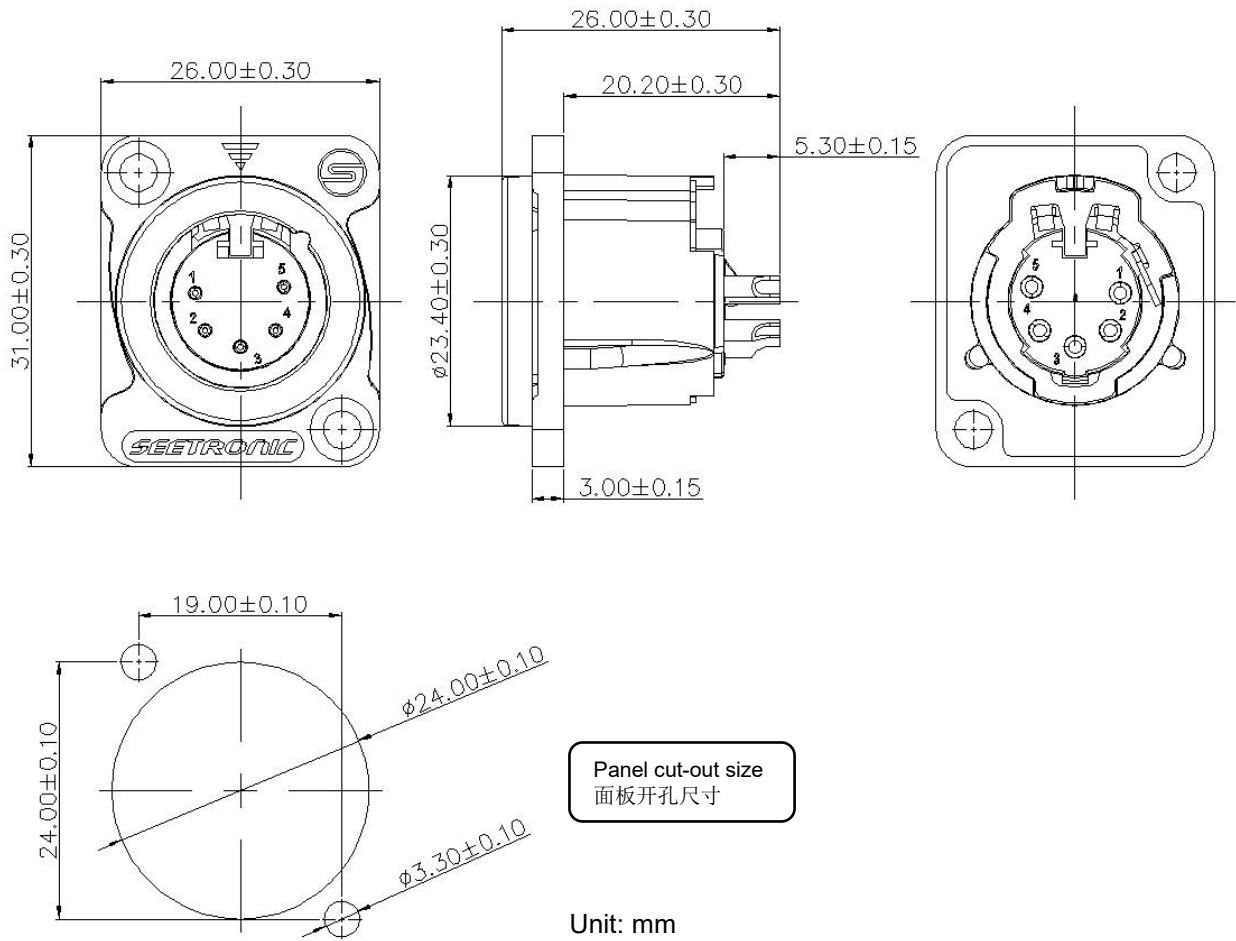
| Item                  | Specification             |
|-----------------------|---------------------------|
| Housing               | Zinc alloy                |
| Housing plating       | Cr                        |
| Insert                | PA                        |
| Contacts              | Cu alloy                  |
| Contact plating       | Ag                        |
| Flame-retardant grade | UL 94-V0                  |
| Temperature range     | -30°C ~ +80°C             |
| Protection class      | IP40                      |
| Solderability         | Complies with IEC 68-2-20 |

### Standards and Certifications

|           |                 |
|-----------|-----------------|
| Standards | IEC 61076-2-103 |
|-----------|-----------------|

## Product Data Sheet

### Product Drawing



### Packaging Method

Blister box packaging

20 pcs per blister box, 100 pcs per inner carton, 5 inner carton per master carton (500 pcs per master carton)

## Product Data Sheet

### Accessory

- |  |  |
|--|--|
| <input checked="" type="checkbox"/> No accessories | <input type="checkbox"/> Back fastener plate |
| <input type="checkbox"/> Screws and Nuts           | <input type="checkbox"/> Other               |

### Assembly Instructions

Install the socket on the front or rear of the panel and tighten the screws with 0.5 Nm torque in clockwise direction.

