

SEETRONIC

Product Data Sheet

Product Type

L@F'D'i [

Product Model

G7 < A)

Customer Name

| | | | |
|---------------------|-----------------|----------------|-----------------|
| Manufacturer | Prepared | Checked | Approved |
| | | | |

| | | | |
|-----------------|-----------------|----------------|------------------|
| Customer | Received | Checked | Confirmed |
| | | | |

Distributor:



Phone: 407-857-8770

Fax: 407-857-8771

Email: sales@techni-lux.com

www.techni-lux.com



Product Data Sheet

| | | |
|--|-----------------|--|
| Product Type | XLR Plug |  |
| Product Model | SCHM5 | |
| Product Features | | |
| <ul style="list-style-type: none">➤ 5-core XLR male plug with stainless steel housing and gold plated contacts➤ Hard, durable, long lifetime and high reliability.➤ Brand new appearance design, smoother operation➤ New grounding which provides good total contact between chassis and cable connectors➤ Exquisite groove design on the boot for colored ring for coding and identification➤ Resistant to drop and pressure which can still operate stably under harsh conditions➤ The boot is equipped with polyurethane sealing sleeve to prevent the cable from being affected by bending pressure to the greatest extent | | |

Product Data Sheet

Product Parameters

| Item | Specification |
|-----------------|---------------|
| Connection type | XLR |
| Gender | Male |

Electrical Parameters

| Item | Specification |
|------------------------------|-----------------------------|
| Capacitance between contacts | ≤ 7 pF |
| Contact resistance | ≤ 3 m Ω |
| Dielectric strength | 1.5 kV DC |
| Insulation resistance | > 10 G Ω (initial) |
| Rated current per contact | 7.5 A |
| Rated voltage | < 50 V |

Product Data Sheet

Mechanical Parameters

| Item | Specification |
|------------------|---------------------------------------|
| Cable OD | 3.5 - 8.5 mm |
| Insertion force | ≤ 20 N |
| Withdrawal force | ≤ 20 N |
| Service life | > 5000 mating cycles |
| Cable size | Max. 1 mm ² Max. 18 AWG |
| Locking device | Latch lock |

Product Data Sheet

Material and Environmental Parameters

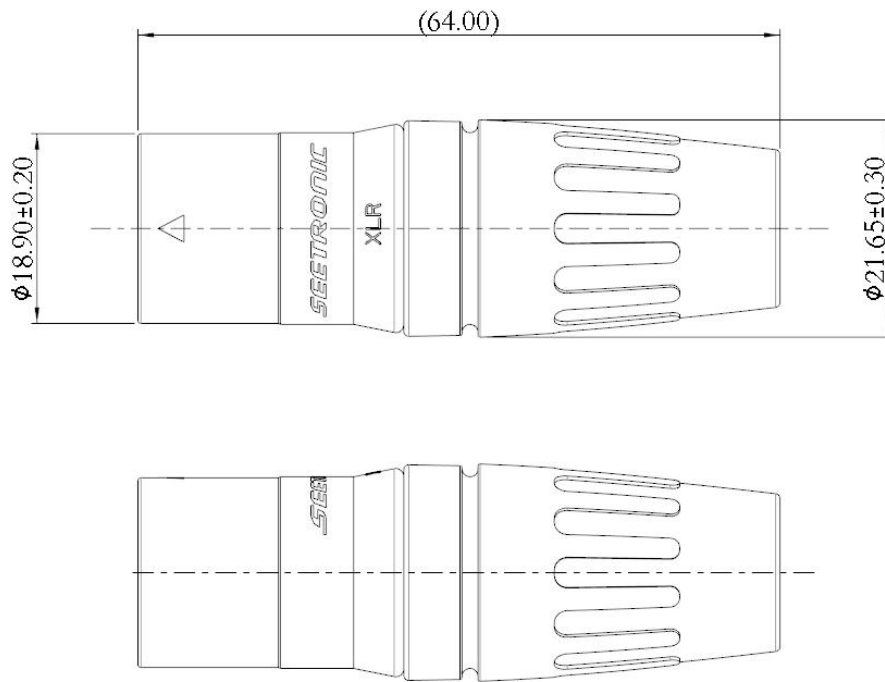
| Item | Specification |
|------------------------|-----------------|
| Boot | PA , TPE |
| Contacts | Cu alloy |
| Contact plating | Au |
| Insert | PA |
| Housing | Stainless steel |
| Housing insert plating | Cr |
| Strain relief | POM |
| Flame-retardant grade | UL 94 HB |
| Protection class | IP40 |
| Temperature range | -30°C ~ +80°C |

Standards and Certifications

| | |
|---------------|---------------------------|
| Standards | IEC 61076-2-103 |
| Solderability | Complies with IEC 68-2-20 |

Product Data Sheet

Product Drawing



Unit: mm

Packaging Method

1 pc per bag (include 1 pc each of inner core, housing, cable clamp, boot)
80 pcs per inner carton, 5 inner cartons per master carton (400 pcs per master carton)

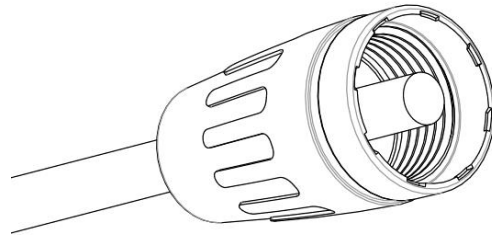
Accessory

- | | |
|--|--|
| <input checked="" type="checkbox"/> No accessories | <input type="checkbox"/> Back fastener plate |
| <input type="checkbox"/> Screws and Nuts | <input type="checkbox"/> Other |

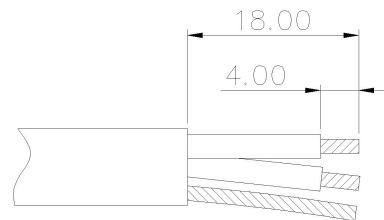
Product Data Sheet

Assembly Instructions

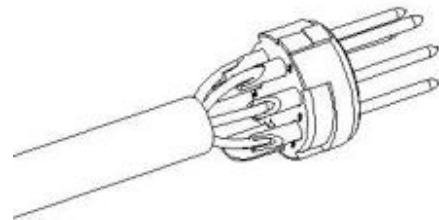
(1) Put the cable through the boot



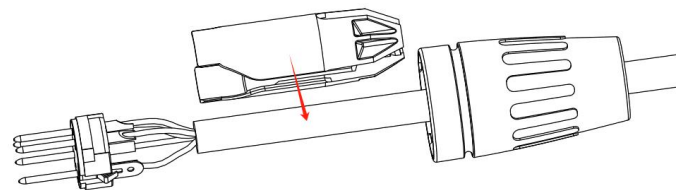
(2) Strip the cable in the size as shown



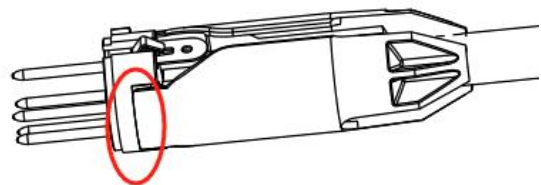
(3) Insert the conductor of the cable into the terminal of the inner core and solder



(4) Snap the clamp into the soldered cable

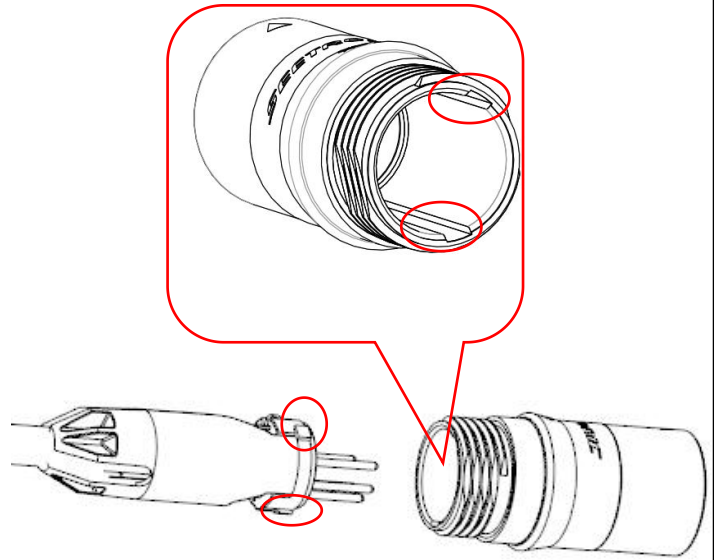


(5) Insert cable into the clamp and clip into the inner core bayonet



Product Data Sheet

- (6) Push the inner core component and clamp into the housing. The two protruding ribs of the inner core component should correspond to the two grooves inside the housing.



- (7) After assembly of the clamp, inner core component and housing, tighten the boot in a clockwise direction

