

# SEETRONIC

## Product Data Sheet

Product Type DfchYWj Y'7 cj Yf

Product Model 7 B57 !>L

Customer Name \_\_\_\_\_


Manufacturer	Prepared	Checked	Approved

Customer	Received	Checked	Confirmed

Distributor:  Phone: 407-857-8770  
Fax: 407-857-8771  
Email: sales@techni-lux.com  
www.techni-lux.com



## Product Data Sheet

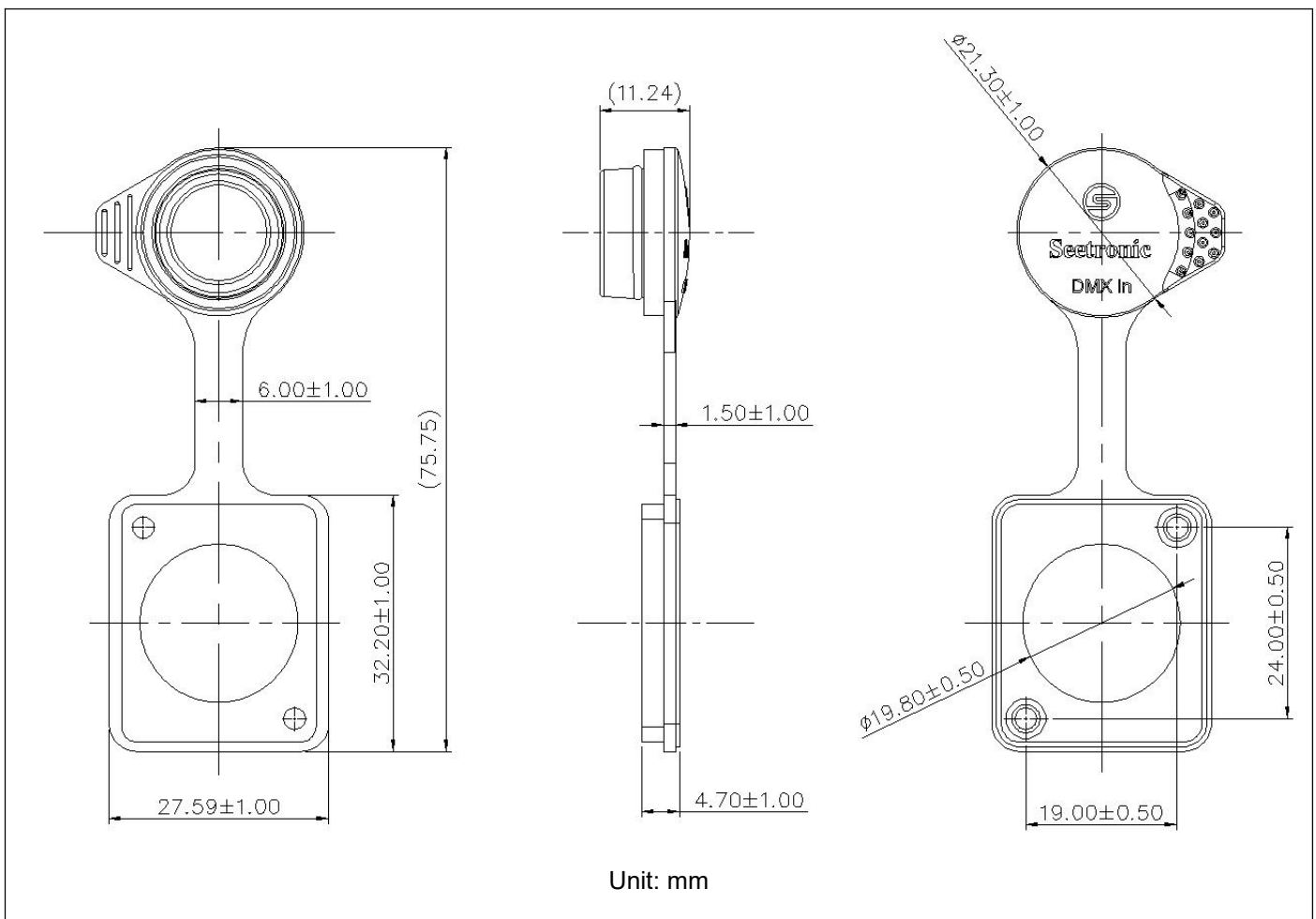
<b>Product Type</b>	<b>Protective Cover</b>	
<b>Product Model</b>	<b>CNAC-J</b>	
<b>Product Features</b>		
<p>➤ Rubber cover of waterproof XLR male chassis connector (J*F2C-W)</p>		

## Product Data Sheet

### Material and Environmental Parameters

Item	Specification
Protective cover	VMQ
Protection class	IP65
Temperature range	-30°C ~ +80°C

### Product Drawing



## Product Data Sheet

### Packaging Method

200 pcs per inner box, 5 inner boxes per master carton (1000 pcs per master carton)

### Accessory

- |  |  |
|--|--|
| <input checked="" type="checkbox"/> No accessories | <input type="checkbox"/> Back fastener plate |
| <input type="checkbox"/> Screws and Nuts           | <input type="checkbox"/> Other               |

### Assembly Instructions

Put the protective cover on the rear side of the socket and then install on the front of the panel. Finally, tighten the screws with 0.5 Nm torque in clockwise direction.

