

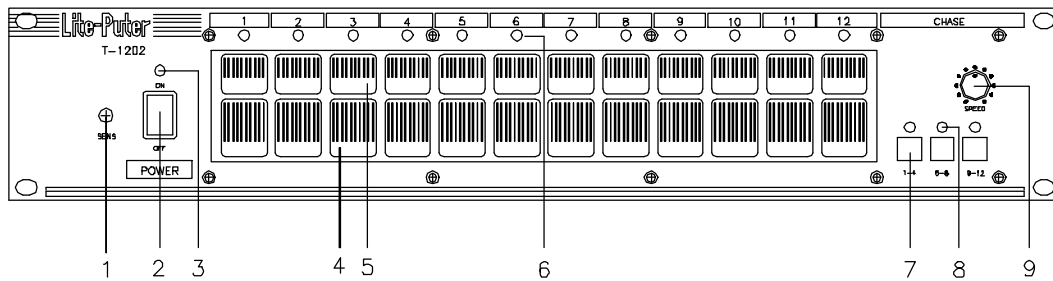
T-1202

12-CHANNEL TOUCH CONTROL PANEL (WITH CHASE FUNCTION)

MAIN FUNCTIONS :

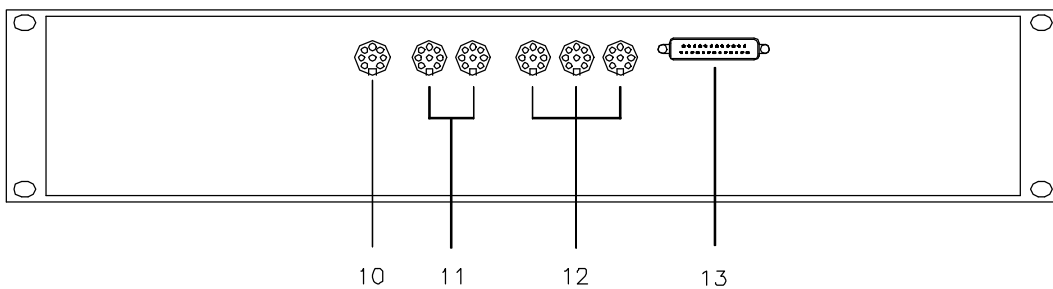
- * 12CH 24 TOUCH SENSORS.
- * FLASH AND HOLD MODES.
- * DUAL COLOR LED INDICATORS.
- * 3 SETS OF SYNCHRONOUS CHASE CONTROL.
- * CHASE SPEED CONTROL.
- * 3 SETS OF SIGNAL OUTPUT CONNECTORS.

GENERAL FUNCTIONS (FRONT):



1. SENS : sensitivity adjustment.
2. POWER SWITCH : use the switch to turn it on and off.
3. POWER INDICATOR : indicates power on while lighting up in red.
4. FLASH MODE : turn the channel on, while touching it.
5. HOLD MODE : touch it to turn the channel on, then touch it again to turn the channel off.
6. OUTPUT INDICATOR : indicates the output of the channel, while lighting up in red.
7. CHASE BUTTON : push it to select chase function.
8. CHASE INDICATOR : indicates chase function, while lighting up in red.
9. CHASE SPEED : to adjust the speed of chase.

GENERAL FUNCTIONS (REAR):

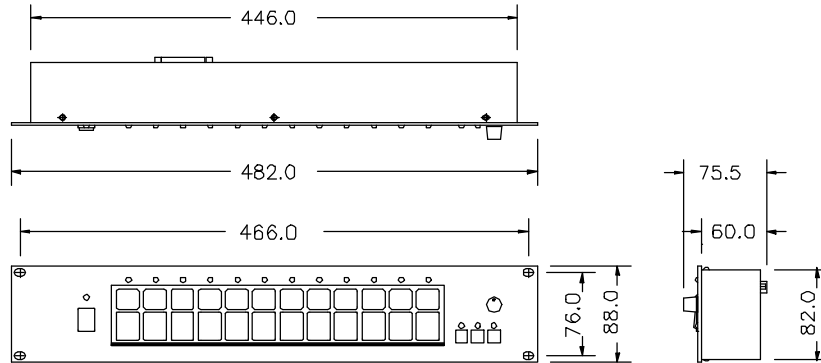


10. EXT. POWER : for test only.
11. SIGNAL OUTPUT (2 PIECES OF 6CH SIGNAL OUTPUT SOCKET) : 8pin-DIN sockets, connected to P-406.
12. SIGNAL OUTPUT (3 PIECES OF 4CH SIGNAL OUTPUT SOCKET) : 8pin-DIN sockets, connected to P-406.
13. SIGNAL OUTPUT (12CH SIGNAL OUTPUT CONNECTOR) : 25pin D-TYPE connector, connected to P-1201, P-1215.

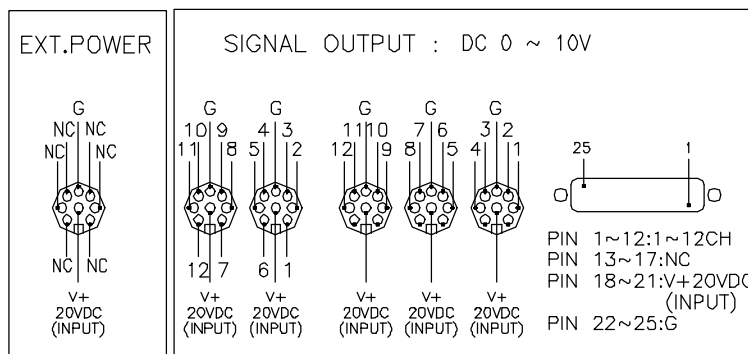
T-1202

SPECIFICATIONS :

1. POWER INPUT : DC +20V.
2. SIGNAL OUTPUT : "ON" DC +10V ; "OFF" DC +0V.
3. WEIGHT : 1.3 Kg.
4. DIMENSION : (unit : mm)



CONNECTION :



CONNECTED TO POWER PACK :

