



|          |
|----------|
| Date     |
| Project  |
| Fixture  |
| Comments |

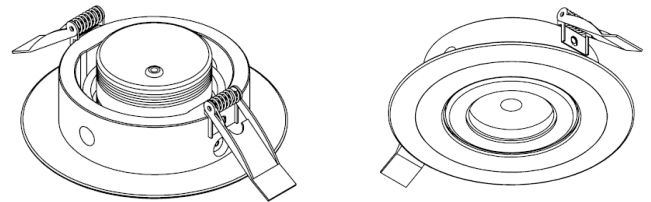
| Part Number | Description  |
|-------------|--|
| PM70        | Ping Swivel Mount for 60mm Fixtures - Black Finish               |
| PM71        | Ping Swivel Mount for 60mm Fixtures - White Finish *CUSTOM ONLY* |

## Description

This recessed trim mount allows you to install a Gantom One or Gantom 7 fixture in a ceiling for downlighting. The swivel adjustment allows you to precisely aim the fixture with a total of 40° of adjustment. The trim is available in black or white finish, and it completely covers the black finish on the standard fixtures. The trim can also be used to hold a diffuser or an MR16 hex louver.

## Features

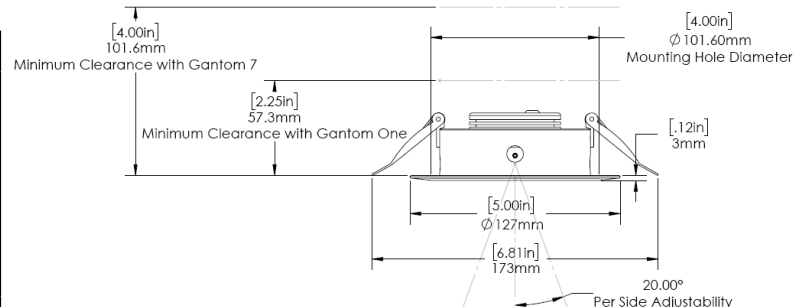
- ▶ Fits a 4" (102mm) mounting hole
- ▶ spring clips hold the mount firmly in place
- ▶ compatible with all Gantom One, Gantom One DMX, Storm One, and Storm One DMX fixtures



## Specifications

### Physical

|                 |   |
|-----------------|---|
| Materials       | Machined aluminum   |
| finish options  | black, white (custom), silver (custom)                            |
| Weight          | 280 grams (9.88 oz)   |
| Dimensions      | 127mm (5") outer diameter<br>57.3 (2.25") minimum depth clearance |
| Mounting Hole Ø | 101.6mm (4")  |
| Fixture Size    | Made for use with 60mm diameter fixtures                          |



Distributor:



Phone: 407-857-8770  
 Fax: 407-857-8771  
 Email: sales@techni-lux.com  
 www.techni-lux.com