

Micro Framing Projector



Juni DMX with standard yoke



Juni DMX on recessed canopy mount



Juni DMX on track mount

Date
Project
Fixture
Comments

Description

At less than 130mm (5 inches) in length, Juni is the smallest framing projector on the market. Gantom collaborated with top lighting designers in themed entertainment and architecture to create the most precise lighting tool for space-constrained environments. With zoom optics and multiple mounting configurations, Juni provides specifiers with design flexibility in a wide range of applications. For permanent installations, every adjustable mechanism is fully lockable (including shutters) to assure fixture focus when the designer steps away. All this in a fixture that's smaller than your smartphone!

Juni has a matte-black anodized aluminum finish with silver available by custom quotation. Juni is available in 12VDC PWM (see Juni datasheet) or DMX dimming options. There are 3 available mounting options: standard screw-mount yoke, recessed canopy, and track.

Applications


- ▶ Themed entertainment
- ▶ Dark rides
- ▶ Restaurants
- ▶ Museums
- ▶ Retail
- ▶ Theatres
- ▶ Hotels
- ▶ Lobbies
- ▶ Trade shows

Features

- ▶ Ultra-compact design < 130mm (5 inches) long
- ▶ Class 2, low-voltage electronic 12VDC input (DO NOT HOT PLUG) (DMX version supports up to 24VDC)
- ▶ Adjustable zoom and focus lenses
- ▶ Interchangable lens tubes with a beam angle range of either 25-38° or 42-60°
- ▶ 3000K 90CRI or 6000K LED options available
- ▶ Locking tri-plane shutter system
- ▶ Accepts Gantom size 19mm gobos
- ▶ PWM dimming and DMX dimming options
- ▶ Machined aluminum body in black anodized finish, custom colors available
- ▶ Track adapter and canopy mount available

Part Number	Description
GP285	Gantom Juni DMX - Cool White - Black Finish - Pro Cable Connector
GP286	Gantom Juni DMX - Warm White - Black Finish - Pro Cable Connector
GP287	Gantom Juni DMX - Cool White - Black Finish - Wide Lens - Pro Cable Connector
GP288	Gantom Juni DMX - Warm White - Black Finish - Wide Lens - Pro Cable Connector
TL285	Gantom Juni DMX - Cool White - Black Finish - Eutrac Low Voltage Adapter
TL286	Gantom Juni DMX - Warm White - Black Finish - Eutrac Low Voltage Adapter
TL287	Gantom Juni DMX - Cool White - Black Finish - Wide Lens - Eutrac Low Voltage Adapter
TL288	Gantom Juni DMX - Warm White - Black Finish - Wide Lens - Eutrac Low Voltage Adapter

All Warm White fixtures are 3000K 90+CRI output. The DMX fixtures have a Gantom Pro Cable branch connector which combines low voltage power and DMX data into a single cable and is compatible with our Pro Cable System. Track mount fixtures are attached to Eutrac low voltage track adapters. Other configurations (LED, housing color, cables) are available as a custom item. Please email sales@gantom.com for more information.

Distributor:  Phone: 407-857-8770
 Fax: 407-857-8771
 Email: sales@techni-lux.com
www.techni-lux.com

Technical Specifications

LED Color Temperature

Warm White	3000K, 90+CRI
Cool White	6000K

Electrical

Voltage Range	12-24VDC DO NOT HOT PLUG
Max Wattage	9W
Cable Length (back of fixture to tip of adapter)	245 mm minimum
Track Adapter	EUTRAC low voltage data track adapter
Dimming Compatibility	DMX controlled
Connector	Pro Cable Branch Male Locking Connector for both powe and DMX

Physical

Materials	Machined aluminum
Color Options	matte black, satin silver
IP Rating	IP40
Weight	390 grams (13.8 oz)

Thermal

Ambient Operating Temperature	0-50° C
Cooling Method	passive
BTUs / Hour	30 max

Optical

Gantom Juni DMX Configuration	Beam Angle	1m Illuminance	2m Illuminance	3m Illuminance
Cool White - Standard Lens - Narrow Beam	25°	999 lx (93 fc)	250 lx (24 fc)	111 lx (11 fc)
Cool White - Standard Lens - Wide Beam	38°	495 lx (46 fc)	124 lx (12 fc)	55 lx (6 fc)
Cool White - Wide Lens - Narrow Beam	42°	369 lx (35 fc)	92 lx (9 fc)	41 lx (4 fc)
Cool White - Wide Lens - Wide Beam	60°	270 lx (26 fc)	68 lx (7 fc)	30 lx (3 fc)
Warm White - Standard Lens - Narrow Beam	25°	459 lx (43 fc)	115 lx (11 fc)	51 lx (5 fc)
Warm White - Standard Lens - Wide Beam	38°	216 lx (21 fc)	54 lx (6 fc)	24 lx (3 fc)
Warm White - Wide Lens - Narrow Beam	42°	153 lx (15 fc)	38 lx (4 fc)	17 lx (2 fc)
Warm White - Wide Lens - Wide Beam	60°	117 lx (11 fc)	29 lx (3 fc)	13 lx (2 fc)

Available Accessories

Part#	Accessory Description
FA38	Gantom DMX V2 Accessory Pack - includes angled cowling, straight snoot, and hexcell louver accessories
PM80	Gantom Recessed Canopy Mount - Black Finish

Warranty

Fixture	2 years
---------	---------

Certifications

USA / Canada	UL
Europe	CE, RoHS

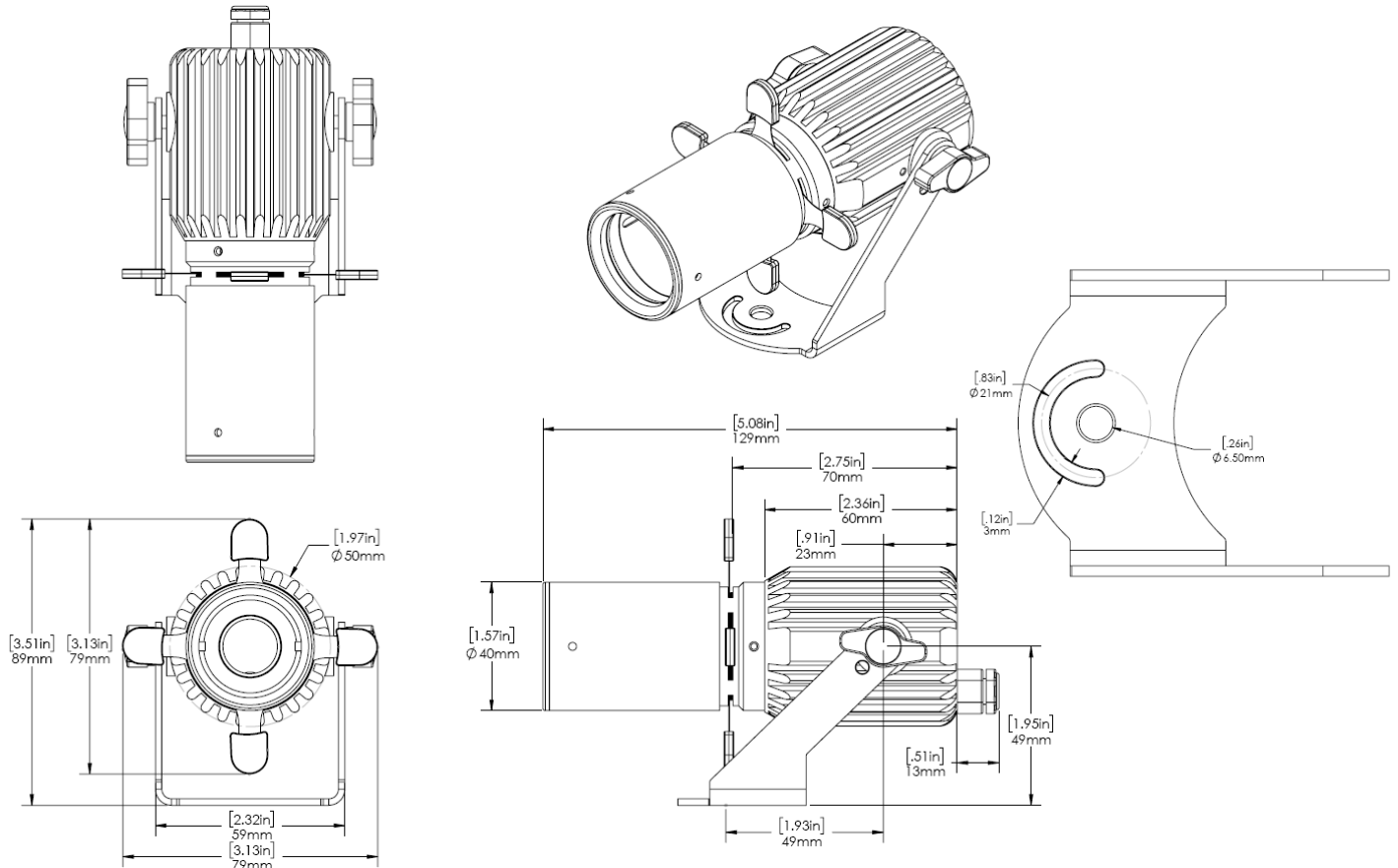
Optical Features

Field Angle Range	Standard Lens: 25°-38° Wide Lens: 42°-60°
Gobo Projection	Yes
Gobo Size	Gantom (19mm with 15mm max pattern size or 10mm max text size)
Front Accessory Holder	Accepts up to 2mm thick dichroic glass with 30mm diameter. Additional attachment accessories available.

DMX

Channel Footprint	Single channel
Channel Mapping	Ch1. Intensity (0-255)
Addressing	Gantom Programmer App or DarkBox Programmer
Lowest Dimming Level	0.05%

Physical Measurements



Product Photos

