

MSD Platinum

MSD Platinum 2 R UNP



The MSD Platinum lamps open up new levels of creative freedom in entertainment lighting, with powerful, compact and brilliantly intense light. Their compact, lightweight design provides the freedom to create smaller, lighter luminaires – for use at any location on stage. And their short arc, high color temperature and innovative reflector produce a sparkling, high beam intensity for outstanding color reproduction. They also offer long and reliable lifetime, high efficacy and fast replacement times. It all adds up to an intensely exciting creative experience.

Product data

• General Characteristics

System Description	Reflector-E19
Cap-Base	-
Cap-Base Information	-
Operating Position	any
Main Application	DJ/Club

• Light Technical Characteristics

Color Code	2
Color Temperature	8000 K
Chromaticity Coordinate X	289 -
Chromaticity Coordinate Y	294 -
Luminous Flux Lamp EM	5150 Lm

• Electrical Characteristics

Lamp Wattage	132 W
Lamp Wattage Technical	120 W
Dimmable	No

• Luminaire Design Requirements

Pinch Temperature	350 (max) C
-------------------	-------------

• Product Dimensions

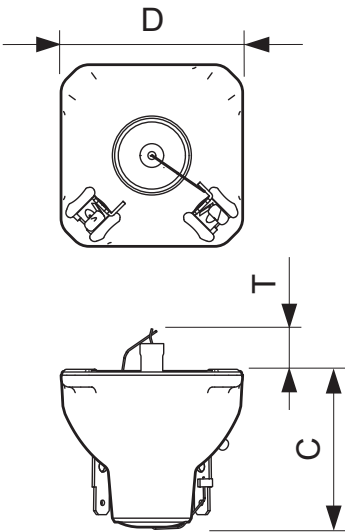
Overall Length C	57.1 (max) mm
Diameter D	46.5 (max) mm
Arc Length O	1.2 mm
Height Exhaust Tip T	13.5 (max) mm

• Product Data

Order code	928197605308
Full product code	928197605308
Full product name	MSD Platinum 2 R UNP
Order product name	MSD Platinum 2 R UNP/24
Pieces per pack	1
Packing configuration	24
Packs per outerbox	24
Bar code on pack - EAN1	8718291678977
Bar code on outerbox - EAN3	8718291678977
Logistic code(s) - 12NC	928197605308
Net weight per piece	0.047 kg

PHILIPS

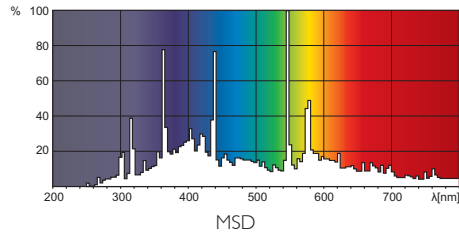
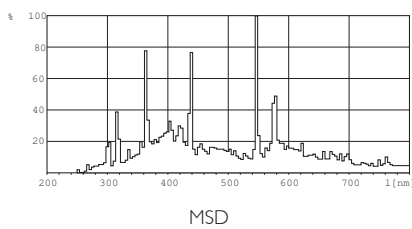
Dimensional drawing



MSD Platinum 2 R UNP

Product	C (Max)	D (Max)	F (Min)	F (Norm)	F (Max)	L (Min)	L (Norm)	L (Max)	O (Norm)	T (Max)
MSD Platinum 2 R	57.1	46.5	-	-	-	-	-	-	1.2	13.5

Photometric data



© 2013 Koninklijke Philips N.V. (Royal Philips)
All rights reserved.

Specifications are subject to change without notice. Trademarks are the property of Koninklijke Philips N.V. (Royal Philips) or their respective owners.

www.philips.com/lighting

2013, October 9
data subject to change

Distributor:

