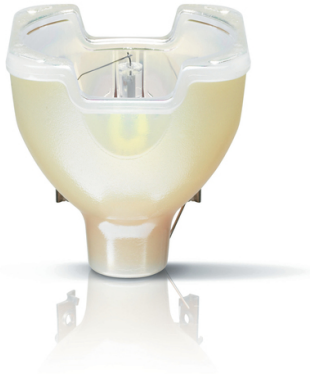


# MSD Platinum

## MSD Platinum 15 R UNP



The new MSD Platinum 5 R lamps open up new levels of creative freedom in entertainment lighting, with powerful, compact and brilliantly intense light. Their compact, lightweight design provides the freedom to create smaller, lighter luminaires – for use at any location on stage. And their short arc, high color temperature and innovative reflector produce a sparkling, high beam intensity for outstanding color reproduction. They also offer long and reliable lifetime, high efficacy and fast replacement times. It all adds up to an intensely exciting creative experience.

### Product data

#### • General Characteristics

|                         |         |
|-------------------------|---------|
| System Description      | -       |
| Cap-Base                | -       |
| Cap-Base Information    | -       |
| Operating Position      | any     |
| Main Application        | DJ/Club |
| Life to 50% failures EM | 1500 hr |

#### • Light Technical Characteristics

|                           |                             |
|---------------------------|-----------------------------|
| Color Code                | 2                           |
| Chromaticity Coordinate X | 299 -                       |
| Chromaticity Coordinate Y | 303 -                       |
| Luminous Flux Lamp EM     | 13000 (min), 14550 (nom) Lm |

#### • Electrical Characteristics

|                        |       |
|------------------------|-------|
| Lamp Wattage           | 300 W |
| Lamp Wattage Technical | 300 W |
| Dimmable               | No    |

#### • Luminaire Design Requirements

|                   |             |
|-------------------|-------------|
| Pinch Temperature | 350 (max) C |
| Bulb Temperature  | 900 (max) C |

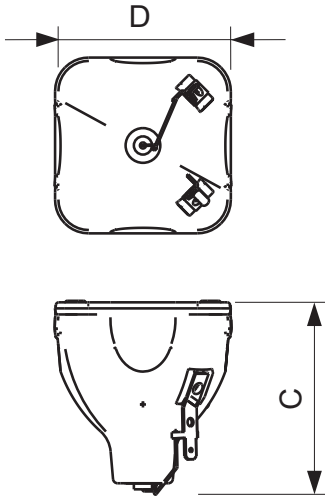
#### • Product Dimensions

|                  |               |
|------------------|---------------|
| Overall Length C | 66.4 (max) mm |
| Diameter D       | 58.5 (max) mm |

#### • Product Data

|                             |                          |
|-----------------------------|--------------------------|
| Order code                  | 928191605308             |
| Full product code           | 928191605308             |
| Full product name           | MSD Platinum 15 R UNP    |
| Order product name          | MSD Platinum 15 R UNP/24 |
| Pieces per pack             | 1                        |
| Packing configuration       | 24                       |
| Packs per outerbox          | 24                       |
| Bar code on pack - EAN1     | 8727900943771            |
| Bar code on outerbox - EAN3 | 8727900943771            |
| Logistic code(s) - 12NC     | 928191605308             |
| Net weight per piece        | 0.120 kg                 |

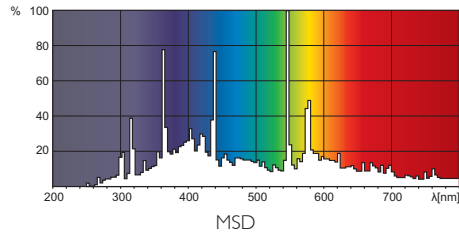
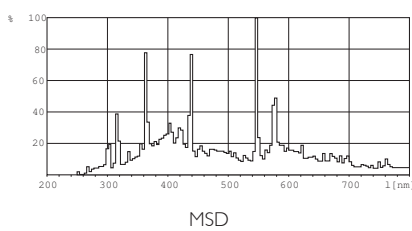
## Dimensional drawing



### MSD Platinum 15 R

| Product           | C (Max) | D (Max) | F (Min) | F (Norm) | F (Max) | L (Min) | L (Norm) | L (Max) | O (Norm) | O (Max) | T (Max) |
|-------------------|---------|---------|---------|----------|---------|---------|----------|---------|----------|---------|---------|
| MSD Platinum 15 R | 66.4    | 58.5    | -       | -        | -       | -       | -        | -       | -        | -       | -       |

## Photometric data



© 2011 Koninklijke Philips Electronics N.V.  
All rights reserved.

Specifications are subject to change without notice. Trademarks are the property of Koninklijke Philips Electronics N.V. or their respective owners.

[www.philips.com/lighting](http://www.philips.com/lighting)

**Distributor:**

  
**Techni-Lux**  
[www.techni-lux.com](http://www.techni-lux.com)

Phone: 407-857-8770  
Fax: 407-857-8771  
Email: [sales@techni-lux.com](mailto:sales@techni-lux.com)

2011, December 21  
data subject to change